

RUGGEDIZED AREA LED LUMINAIRE

RAL IL v2 SERIES

ADVANCE RELEASE

DESCRIPTION

The updated RAL IL v2 Series Ruggedized Area LED Luminaire with updated engineering, employs advanced materials and manufacturing techniques to achieve long term performance. Featuring a highly corrosion resistant coated Aluminium exterior and modern aesthetics.

The RAL IL v2 luminaire housing benefits from a AL 6063 series Aluminum alloy extrusion for enhanced thermal capacity, product modularity and assembly precision. This provides unmatched tensile strength, impact tolerance and excellent resistance to industrial airborne and atmospheric contaminants such as greases, oils, diesel fumes, bird droppings, environmental contaminants and corrosive cleaning agents. The unique design presents an exceptional thermal signature and a smooth and practically undisturbed surface allowing it to remain clean and effectively shedding particulates.

The RAL IL v2 is uniquely designed to be 60% lighter than previous cast structures, providing a superior surface finish which allows for the use of specialty coating to suit a broad range of applications. The RAL IL v2 series luminaire is delivered with an exceptional high quality anodized (Class 1) finish and is available with optional ecoating or with PVDF resin based coatings such as Kynar™ or Fluoropon™. Additionally, specialized surface treatments such as superhydrophobic (nano repellency) , PAXCON™ polyurethane/ polyurea (impact mitigation) as well as ceramic (self cleaning) are available for severe duty environments.

The RAL IL v2 luminaire provides an ingress protection rating of IP66 including usage in environments where high levels of humidity are present and is provided with high temperature silicone seals. All models are available as an option with NBR, SBR, EPDM, Viton/ FPM® or Neoprene seals. The RAL IL v2 series employs performance leading digital drivers with built in SPD, including additional Surge Protection Devices (SPD) and dimming and integrated daylight sensors as options.

The RAL IL v2 light engine assembly is fully sealed against the infiltration of airborne foreign matter and feature very low maintenance requirements. An IP69K option is available which is pressure wash down capable. The RAL IL v2 employs SS316 fastening hardware and is engineered with added internal mechanical strength. The main structure lenses are manufactured with Polycarbonate with practically indestructible properties, all lens components are treated to protect against material degradation under UV content exposure.

The RAL IL v2 series LED luminaires are engineered for applications requiring mid and high power illumination of up to 45,000 lumens with 7 distribution patterns. The RAL IL v2 series integrate high performance Nichia™ 757 LED on thin film MCPCB with proprietary reflective coatings. The RAL IL v2 provides crisp illumination with superior fixture efficacy and advanced thermal pathways for a wide operating temperature range. Mounting options are either surface via an adjustable trunnion or pole via a slip-fitter.



APPLICATIONS

- Transportation Terminals
- Bridges / Tunnels / Walkways
- Storage & Warehousing
- Off Grid Service Compounds
- Rail Service Yards
- Sports Facilities

RAL IL v2 SERIES SPECIFICATIONS

FIXTURE SERIES	POWER	LED TYPE	CCT	DISTRIBUTION	EXIT LUMEN RANGE	OPERATING VOLTAGE	IP RATING	DIMENSIONS
LR-RAL-ILv2-60W-XX	60W	Nichia™ 757	4500K (5500-6500K avail)	40° / 60° / 90° / 120° / *160° 50 x130 / 65 x 140	8,100 – 8,700lm	AC90-277V 50/60Hz AC180-480V 50/60Hz	IP66 - IP69K	L450mm X W180mm x H100mm
LR-RAL-ILv2-100W-XX	100W	Nichia™ 757	4500K (5500-6500K avail)	40° / 60° / 90° / 120° / *160° 50 x130 / 65 x 140	13,500 - 14,500lm	AC90-277V 50/60Hz AC180-480V 50/60Hz	IP66 - IP69K	L450mm X W245mm x H100mm
LR-RAL-ILv2-150W-XX	150W	Nichia™ 757	4500K (5500-6500K avail)	40° / 60° / 90° / 120° / *160° 50 x130 / 65 x 140	20,250 - 21,750lm	AC90-277V 50/60Hz AC180-480V 50/60Hz	IP66 - IP69K	L450mm X W300mm x H100mm
LR-RAL-ILv2-200W-XX	200W	Nichia™ 757	4500K (5500-6500K avail)	40° / 60° / 90° / 120° / *160° 50 x130 / 65 x 140	27,000 - 29,000lm	AC90-277V 50/60Hz AC180-480V 50/60Hz	IP66 - IP69K	L450mm X W380mm x H100mm
LR-RAL-ILv2-300W-XX	300W	Nichia™ 757	4500K (5500-6500K avail)	40° / 60° / 90° / 120° / *160° 50 x130 / 65 x 140	40,500 - 43,500lm	AC90-277V 50/60Hz AC180-480V 50/60Hz	IP66 - IP69K	L450mm X W530mm x H100mm

*Optional beam distribution

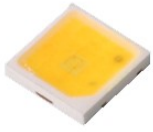


514 484-8462
888 LEDLABS
(888.533.5227)

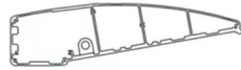
info@ledrays.com
www.ledrays.com



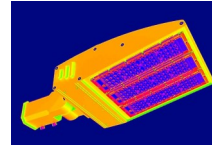
FEATURES



HIGH PERFORMANCE
757 LED ENGINES



EXTRUDED AL 6063
MAIN HOUSING



EXCEPTIONAL THERMAL
PERFORMANCE



HIGH EFFICIENCY
DIGITAL DRIVERS

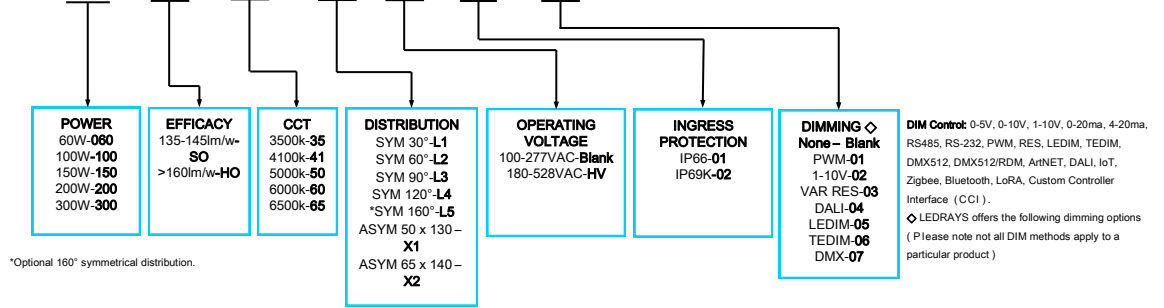
PRODUCT VIEWS



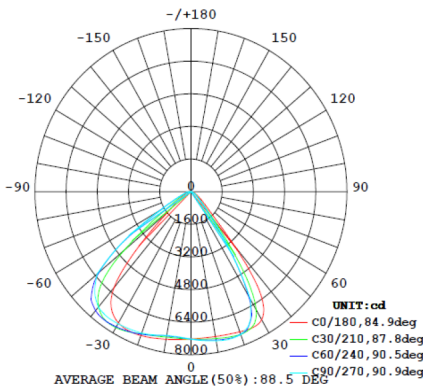
ORDERING INFO: LR-RAL-ILv2 -150-SO-50-L2--01-

ELECTRICAL SPECIFICATIONS

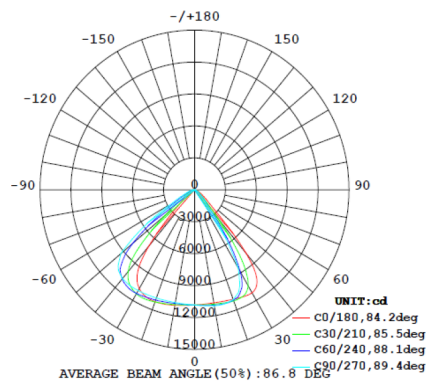
- Power Input: AC100-277V
- AC180-528V (Option)
- Power Factor: ≥96
- THD: ≤14% @ full Load
- Standard input cord 1M/3.3'
- Fixture surface treatment, seal type and finish color to be specified



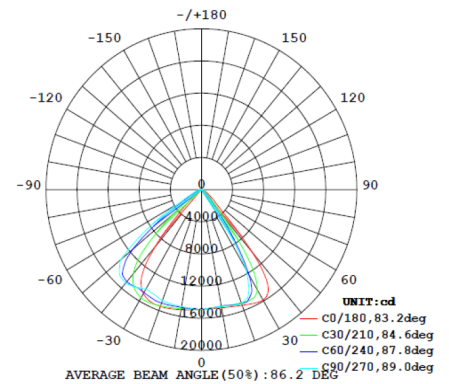
PHOTOMETRIC DISTRIBUTION



100W / L2
SO VERSION



150W / L2
SO VERSION



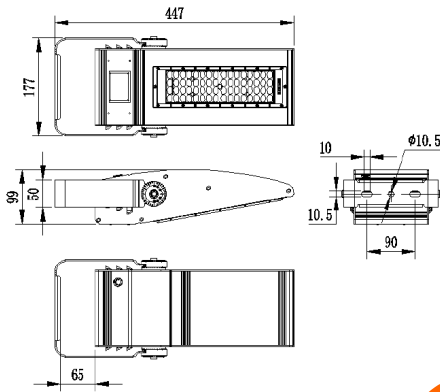
200W / L2
SO VERSION



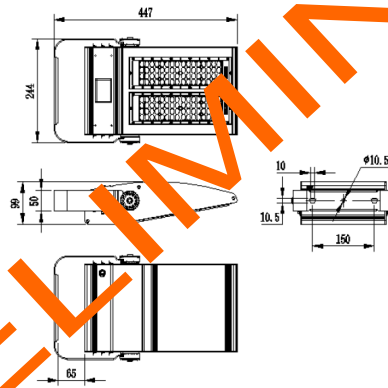


DIMENSIONS mm (± 1.1mm) / WEIGHTS (± 0.2kg/± 0.44lbs)

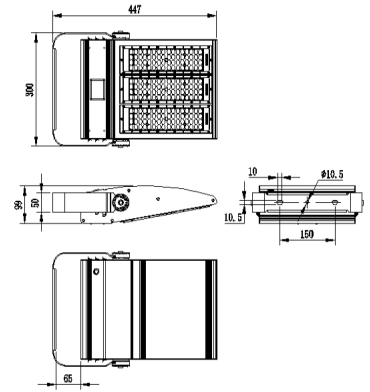
POWER	DIMENSIONS	WEIGHT
60W	L450mm X W180mm x H100mm	4.45kg / 9.37lb
100W	L450mm X W245mm x H100mm	5.90kg / 12.98lb
150W	L450mm X W300mm x H100mm	6.90kg / 15.18lb
200W	L450mm X W380mm x H100mm	8.10kg / 17.82lb
300W	L450mm X W530mm x H100mm	9.15kg / 20.13lb



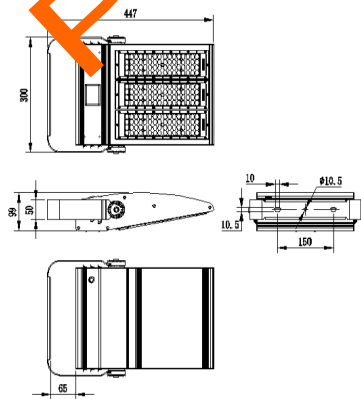
RAL IL v2 60W



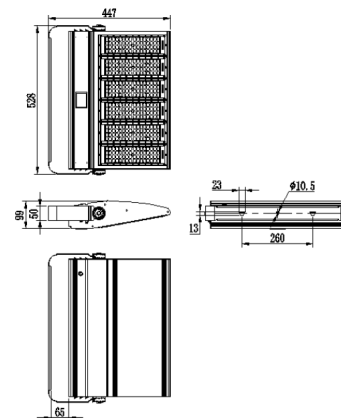
RAL IL v2 100W



RAL IL v2 150W



RAL IL v2 200W



RAL IL v2 300W

PRELIMINARY



The specifications in this brochure are representative and must not be interpreted as a guarantee of individual product performance and/or characteristics. LEDRAYS Inc. has a policy of continuous advancements & development specifications may change without notice. Please contact your agent for updates.

514 484-8462
888 LEDLABS
(888.533.5227)

info@ledrays.com
www.ledrays.com