

# HAZARDOUS LOCATION LED LUMINAIRE EV SERIES



## HLX EV SERIES

### DESCRIPTION

The HLX EV Series hazardous location luminaires have been developed for difficult applications with expected exposure to flammable gases, vapours, combustible particles and ignitable fibres. Designed to deliver superior performance in a robust package for mid and high power applications.

Designed as a viable alternative to legacy gaseous luminaires providing substantially greater reliability, longevity and energy savings. The HLX EV Series was conceived in tune with the requirement for very low maintenance and offers exceptional performance in a value added package.

The HLX EV Series is available in 3 power configurations and 4 distribution angles providing field integration flexibility. The very low copper content heavy cast housing is precision machined on a 5 axis CNC and features a tempered borosilicate glass fascia, neoprene gaskets and stainless hardware and trunnion bracket. The use of superior raw materials results in a robust and reliable package that is listed for both C1D1 Group C, D & C1D2 Group A, B, C & D classifications.

The HLX EV hazardous location luminaire is coated with a proprietary 5 step epowder coating process for high strength and durability in exceptionally harsh applications. The HLX EV Series is fully sealed to NEMA 4x/IP66 standards allowing it to reliably operate in high humidity and wet environments and can withstand most wash down procedures.

The HLX EV Series LED luminaires ship with on board digital drivers with 4 way power protection with built in SPD which provides stable long term performance to guard against in field failures and light depreciation. All versions are equipped with additional Surge Protection Devices (Min. 10KV SPD) providing multi layer protection of power cycle disturbances. Proven performance under severe conditions with a robust design and best in class SMD LED engines. The LED RAYS HLX EV Series is designed with the same prodigious attention to detail as the entire line of hazardous location luminaires.

The HLX EV Series offers exceptional value by benefiting from pragmatic cost reduction efforts including production line leveraging, supply chain optimization and by using cross platform components.



### APPLICATIONS

- Mining/Extraction Sites
- Petrochemical
- Paints/Inks/Coatings Production
- Test Chambers
- Service Tunnels
- Grain Production & Storage
- Pulp & Paper
- Water & Waste Water
- Offshore
- Food & Beverage Processing

#### CERTIFICATES & RATINGS

Class I, Division 1, Groups C,D  
Class I, Division 2, Groups A, B, C & D  
Class II, Division 1 & 2, Groups E,F & G  
Class III  
UL844 & UL1598 Wet Location  
CSA C22.2 No.137-M1981 /No.250.0-8  
T6 Temperature Code for 100W & 135W Models  
T5 Temperature Code for 185W Model  
NEMA 4X, IP66

### HLX EV SERIES SPECIFICATIONS

FIXTURE SERIES	POWER	LED TYPE	CCT	DISTRIBUTION	EXIT LUMEN RANGE	OPERATING VOLTAGE	IP RATING	DIMENSIONS
LR-HLX-EV-100-XX	100W	SMD	5000K (4000-6500K avail)	30° / 60° / 90° / 120° *	11,000 - 12,000lm	AC90-277V AC180-508V	IP66	** L432mm x H1-310mm x D160mm H2-410mm
LR-HLX-EV-135-XX	135W	SMD	5000K (4000-6500K avail)	30° / 60° / 90° / 120° *	14,850 - 16,200lm	AC90-277V AC180-508V	IP66	** L432mm x H1-310mm x D160mm H2-410mm
LR-HLX-EV-185-XX	185W	SMD	5000K (4000-6500K avail)	30° / 60° / 90° / 120° *	20,350 - 22,200lm	AC90-277V AC180-508V	IP66	** L432mm x H1-310mm x D160mm H2-410mm

\* Not all distribution patterns available with all power levels

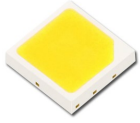
\*\* H2 with trunnion bracket



514.484.8462  
**888 LEDLABS**  
(888.533.5227)

info@ledrays.com  
www.ledrays.com

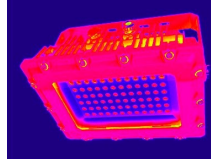
FEATURES



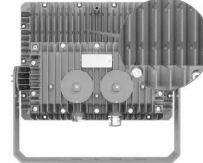
EMC SMD PACKAGE



TEMPERED BOROSILICATE GLASS FASCIA



SUPERIOR THERMAL PERFORMANCE

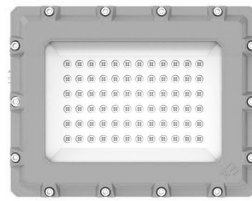


MACHINED HOUSING & 316 STAINLESS HARDWARE



HIGH EFFICIENCY DRIVERS

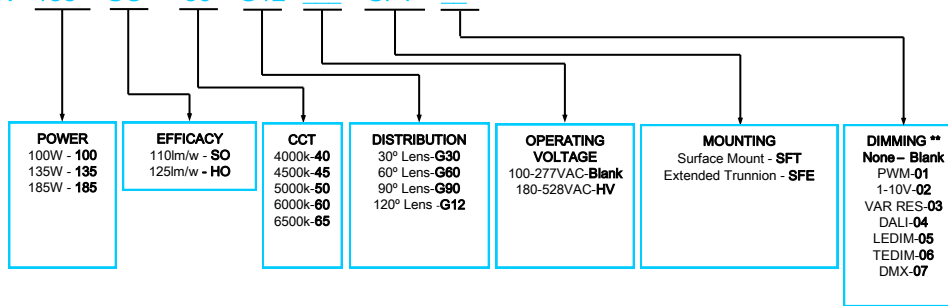
PRODUCT IMAGES



ORDERING INFO: LR-HLX-EV- 135- SO- 50-G12--SFT-

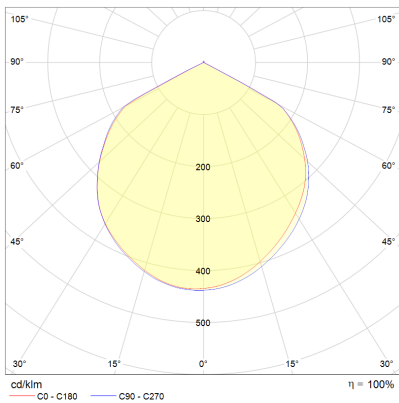
ELECTRICAL SPECIFICATIONS

1. Power Input: AC100-277V
2. AC180-528V ( Option )
3. Power Factor: ≥97
4. THD: ≤16% @ full Load

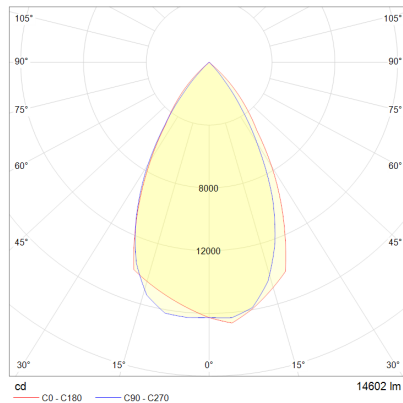


**DIM Control:** 0-5V, 0-10V, 1-10V, 0-20ma, 4-20ma, RS485, RS-232, PWM, RES, LEDIM, TEDIM, DMX512, DMX512/RDM, DALI, Custom  
**\*\* LEDRAYS offers the following dimming options ( Please note not all DIM methods apply to a particular product )**

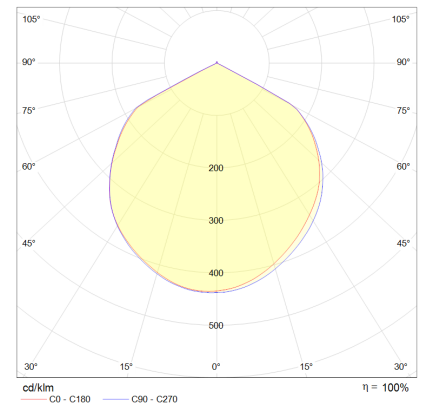
PHOTOMETRIC DISTRIBUTION



LR-HLX-EV-100 100W 120 Deg.



LR-HLX-EV-135 135W 60 Deg.



LR-HLX-EV-185 185W 120 Deg.

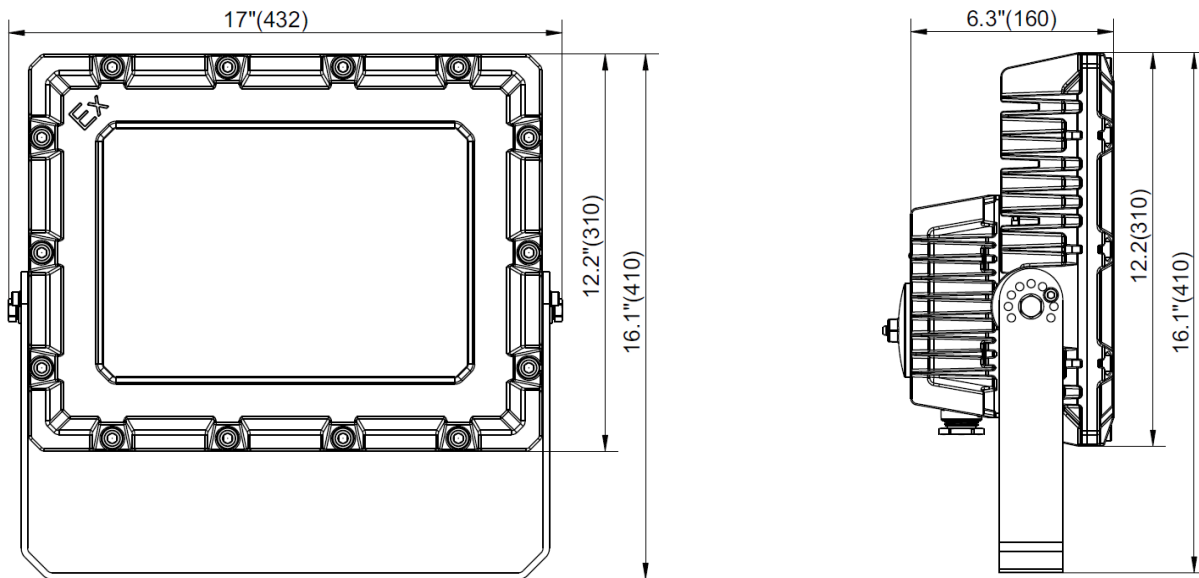




DIMENSIONS mm (± 1.1mm) WEIGHTS (± 0.4Kg)

POWER	DIMENSIONS	WEIGHT
100W	** L432mm x H1-310mm x D160mm H2-410mm	14.75Kg / 29.50lbs
135W	** L432mm x H1-310mm x D160mm H2-410mm	15.10kg / 33.2lbs
185W	** L432mm x H1-310mm x D160mm H2-410mm	15.45Kg / 34.00lbs

\*\* H2 with trunion bracket



The specifications in this brochure are representative and must not be interpreted as a guarantee of individual product performance and/or characteristics.  
 LED RAYS Inc. has a policy of continuous advancements & development specifications may change without notice. Please contact your agent for updates.

 514.484.8462  
**888 LEDLABS**  
 (888.533.5227)

 info@ledrays.com  
 www.ledrays.com