

# BELOW GRADE LED LUMINAIRES

TERRAWALK™ CUSTOMIZABLE IN-GROUND SYSTEM  
Part # LR-TW-5W-S6-8L2-X1B-X2A/Obey70/HEP-320-24P



TERRAWALK™ SERIES

PRELIMINARY

## DESCRIPTION

The TERRAWALK™ in ground LED Luminaire is designed for in grade applications using a protective PVC sleeve suitable for concrete pour, gravel or polymeric substrates using a bezel mounting configuration. The TERRAWALK™ luminaire is based on individual single chip R, G & B LED engines with individual 15° lensing. The TERRAWALK™ features 24VDC input for greater install flexibility and integrates DMX512 control protocols for light effects and color changing applications. Internal constant current multi channel DMX drivers assure precise LED drive and long term reliability.

The main fixture housing employs cast Aluminium alloys for strength and efficient thermal dissipation. The "Walk on" glass is machined with a flush lip, semi translucent and tempered with a maximum thickness of 4.5mm. High grade silicone seals are used for the interface between the fixture housing and the 304 stainless steel bezel. The Bezel is secure to the main fixture housing via slight compression using 4 x 316 stainless steel flush bolts which are also available in anti vandal versions.

The TERRAWALK™ features two input cables with waterproof male connectors that are over molded and keyed for proper alignment with the female line connectors. The 24VDC input power is provided via a 2 conductor 75cm (30") cable and the DMX512 signals are via a 3 conductor 75cm (30") cable. The TERRAWALK™ can operate in any position and is rated to IP68.

Wiring is based on a main DC power line with branch circuits of the appropriate wire gauge to support the current requirements of the luminaires. Each TERRAWALK™ fixture is powered via a 45cm (18") cable with a female waterproof connector. The DMX512 signal is on a separate main signal line which branches to each TERRAWALK™ fixture via a 45cm (18") cable with a female waterproof connector. Both input power & DMX cables are provided with flying leads. Both 2 & 3 way waterproof T type connectors are available as an option to facilitate connection to the main power and signal lines,

Maximum length between DMX512 controller and last fixture is approximately 800 feet. DMX512 amplifiers/repeaters are provided for each run over 30 fixtures. The DMX amplifiers/repeaters operate on the 24VDC main DC power line and are provided with both input and output connectors for the DMX signal as well as input power connectors.

A desktop/rackmount or wall type DMX 512 controller is provided with an independent power supply. Wall type controllers fit single gang electrical junction boxes. Recommended wiring between the DMX512 controller and TERRAWALK™ fixtures is Belden type 9841 or 3105A low capacitance shielded cable with the shield connected only at the luminaire end. The last DMX controlled fixture is terminated with signal conditioning device.

System power is supplied via an Aluminium encased power c UL us™ listed power supply which is 20% over rated. The supply features a fanless design, an ingress protection rating of IP65 with IP68 as an option.

Long term reliability is achieved via the use of superior materials, electronics and exceptional engineering.



DESKTOP DMX512 CONTROLLER



WALL DMX512 CONTROLLER



DMX512 AMPLIFIER/REPEATER



POWER SUPPLY



2 OR 3 WAY T CONNECTOR



2 & 3 COND. LUMINAIRE POWER & DMX  
CABLES WITH WATERPROOF CONNECTORS



T: 514.484.8462  
TF: 888.LEDLABS  
888.533-5227

info@ledrays.com  
[www.ledrays.com](http://www.ledrays.com)



TERRAWALK™ SERIES SPECIFICATIONS

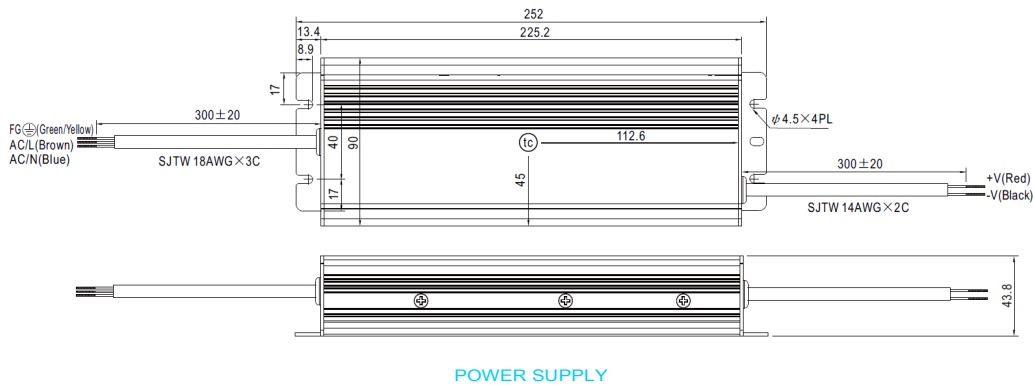
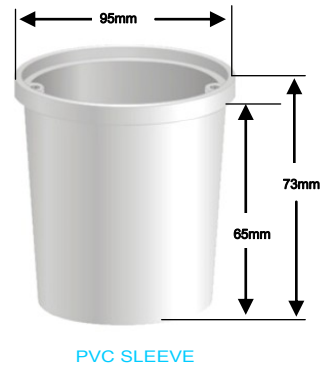
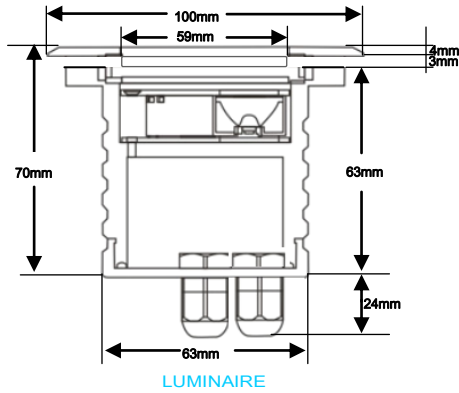
| FIXTURE SERIES          | POWER | LED TYPE                           | OPERATING VOLTAGE | DISTRIBUTION | EXIT LUMEN RANGE | INTERNAL DMX DRIVER | CONTROL TYPE | IP RATING | MOUNTING TYPE | BEZEL FINISH   | OPERATING TEMPERATURE | BEZEL DIMENSIONS | HOUSING DIMENSIONS                |
|-------------------------|-------|------------------------------------|-------------------|--------------|------------------|---------------------|--------------|-----------|---------------|----------------|-----------------------|------------------|-----------------------------------|
| LR-TW-5W-S6-8L2-X1B-X2A | 5-6W  | 3 X single R, G & B Bridgelux™ LED | 24VDC             | 15°          | 300-400lm        | YES                 | DMX512       | IP68      | PVC Sleeve    | 304SS or 316SS | 35°C~ +45°C           | Ø100mm X 4mm     | Ø63mm x63mm<br>Ø90 Bezel Retainer |

| DMX CONTROLLER         | OPERATING VOLTAGE              | INPUT/OUTPUT | TYPE                         | ACTIVATION                           | DMX CHANNELS | PRESETS | OPERATING TEMPERATURE | DIMENSIONS                                  |
|------------------------|--------------------------------|--------------|------------------------------|--------------------------------------|--------------|---------|-----------------------|---|
| LRDMX-WT_OBEY_XX-01/02 | 9-12VDC or 24VDC External Pack | DMX 3PIN XLR | Desktop/4U Rackmount or Wall | Sliders/Switches or Capacitive Touch | 16 or 4      | YES     | +10°C~ +35°C          | 483mm x 178mm x 71 mm or 86mm x 86mm x 36mm |

| DMX AMPLIFIER   | OPERATING VOLTAGE | INPUT/OUTPUT DMX | SIGNAL CORRECTION | IP RATING | MAX AMPLIFICATION | CONFIGURATION   | OPERATING TEMPERATURE | DIMENSIONS          |
|-----------------|-------------------|------------------|-------------------|-----------|-------------------|-----------------|-----------------------|---------------------|
| LRDMX-SR1X1X24P | 24VDC             | DMX 3PIN XLR     | YES               | IP65      | 100M OR 300ft     | 1 X IN & 1X OUT | -35°C~ +55°C          | 140mm x 70mm x 50mm |

| EXTERNAL DRIVER | POWER | INPUT     | OUTPUT VOLTAGE | IP RATING    | OUTPUT CONNECTION | PROTECTION  | OPERATING TEMPERATURE | DIMENSIONS            |
|-----------------|-------|-----------|----------------|--------------|-------------------|---|-----------------------|-----------------------|
| LRHEP-320-24P   | 320W  | 90-305VAC | 24VDC          | IP65 or IP68 | SJTW 14AWG x 2C   | Short Circuit, Overload, Over Voltage, Over Temperature | -40°C~ +55°C          | 252mm x 90mm x 43.8mm |

DIMENSIONS



The specifications in this brochure are representative and must not be interpreted as a guarantee of individual product performance and/or characteristics. LEDRAYS Inc. has a policy of continuous advancements & development specifications may change without notice. Subject to LEDRAYS Inc. engineering final approval. Please contact your agent for updates.

T: 514.484.8462  
TF: 888.LEDLABS  
888.533-5227

info@ledrays.com  
[www.ledrays.com](http://www.ledrays.com)