

PRECAUTIONS

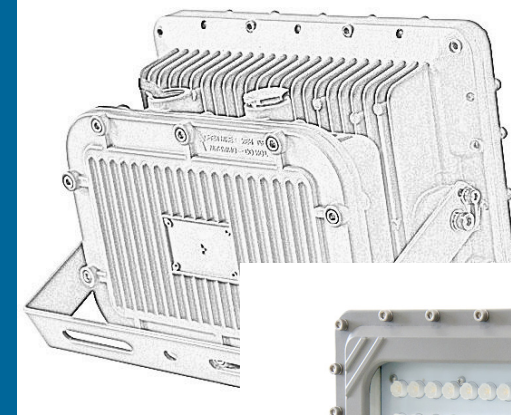
- Verify contents please do not proceed with the installation if damage is found.
 - Refer to luminaire label for specific classification information, maximum ambient temperature suitability and corresponding operating temperature (T-CODE)
 - Prior to proceeding apply all ESD procedures and Anti static precautions
 - LED luminaire eye safety is classified as RG2 (Risk Group 2) with a Moderate Risk, however LEDRAYS Inc. strongly recommends proper protection when handling & viewing LED luminaires while in operation. Please refer to document "Eye safety with LED Components".
 - Follow all wiring instructions and only use approved accessories and parts.
 - When installing, servicing, or replacing parts for this product please refer to LEDRAYS Inc. service procedures.
 - Do not apply excessive force to hardware, cables or connectors. Protect from vibration, do not disassemble product. Electrical shock, fire, or malfunction may result.
 - Use only approved connectors and hardware with the LED luminaire. Using any other connectors or accessories may create a safety hazard.
 - Handle the product with care. Subjecting it to physical shock (by dropping or creating impacts) may cause damage or malfunctions.
 - Please use supplied original packaging for protection when handling & transporting LED luminaire.
 - Do not operate LED luminaire in packing carton.
 - Please follow any additional install procedures such as specific wiring diagrams provided with the product.
- The manufacturer makes no warranties regarding possible malfunctions or damage that may result from incorrect install, improper use or product modification.

SPECIFICATIONS	
Operating Voltage range	100-240/277VAC
Operating Voltage range HV	200-480VAC
Operating Power	80-100-150W
Power Factor	0.95PF
Luminous Flux	9200-20250lm
Efficacy	115-130lm/w
CCT	5000K
CRI	>70Ra
Lens	25, 60 & 120Deg.
Ambient Temperature	-40°C to +60°C
Ambient Humidity	10%-90%
Optimal Operating Temp.	25C Deg.
Atmospheric Pressure	86~106Kpa

Class I, Div. I	Group C, D
Class II, Div. II	Group A, B, C, D

MECHANICAL	
Materials	Copper Free AL ADC12 Housing, safety glass, SS Hardware
Mounting Positions	Wall/ceiling /Floor
Assembly Weight	33-36.5lbs
Ingress Rating	IP66

PRODUCT RESOURCES	
Engineering	888.LED.LABS x 227
Product Manager	Julian Picman x 223
Technical Support	Andre H .Silva x 224
Technical email	info@ledrays.com



INSTALLATION GUIDE

HLX-IL HAZLOC LED LUMINAIRE



WARNINGS

- To avoid the risk of fire, explosion or electric shock, this product should be installed, inspected and maintained only by a qualified electrician in accordance with all applicable codes and regulations.
- Be certain electrical power is OFF before and during installation and allow unit to cool down prior to maintenance.
- Make sure that the supply voltage is the same as the LED luminaire voltage.
- Luminaire must be supplied by a wiring system with an equipment grounding conductor
- Do not install or operate in ambient temperatures exceeding the recommended temperature of the LED luminaire.
- Do not modify or operate with dimmers or other non approved control circuits.
The LED luminaire is designed to operate in a free air environment. Do not operate in an enclosed space with limited airflow. Inspect cooling fins regularly to ensure luminaire is free of contamination.
- Do not hot or cold pressure wash.
- Do not install where the marked operating temperatures exceed the ignition temperature of the hazardous atmosphere.
- All gasket seals must be clean and undamaged.
- Before dismounting, electrical power to the luminaire must be turn off. Keep tightly closed when in operation.

WIRING COLOR CODES

WIRING TO MAINS	EXTERIOR & INTERIOR TYPE		
	A	B	C
LINE	BLACK	BROWN	RED
NEUTRAL	WHITE	BLUE	BLACK
GROUND	GREEN	YELLOW OR YELLOW/GREEN	YELLOW

USAGE PRECAUTIONS

For maximum product reliability and long life end user must inspect the cooling fins on the luminaire periodically to ensure that they are free of any contamination (i.e. excessive dust or other particulate build-up). All recommended precautions and warnings in this guide apply to the end user. Please refer to LEDRAYS Inc. warranty documents for further details.

Perform visual, electrical and mechanical inspections on a regular basis based on the environment and frequency of use. However it is recommended that verifications be performed at least twice per year.

The external glass should be cleaned periodically to ensure continued luminaire performance. Clean the glass with a clean, damp, non-abrasive, lint-free cloth. If this is not sufficient, use a mild soap or a liquid cleaner. Do not use an abrasive, strong alkaline or acid cleaners as damage may occur.

Installation

1

MOUNTING:

- LUMINAIRE IS PROVIDED WITH AN ADJUSTABLE SUPPORT BRACKET. REMOVE BRACKET FROM LUMINAIRE AND MOUNT IN AN APPROPRIATE LOCATION USING COMPATIBLE FASTNERS.
- THIS HAZLOC LUMINAIRE CAN BE USED IN WALL/CEILING OR FLOOR APPLICATIONS.
- CEILING MOUNTING ALLOWS FOR 90DEG. OF ADJUSTABILITY FROM VERTICAL (LENS IN HORIZONTAL POSITION FACING DOWN).
- WALL/FLOOR MOUNTING POSTIONS ALLOW FOR 45DEG FROM HORIZONTAL (LENS IN VERTICAL POSITION).
- POSITION THE LUMINAIRE BETWEEN SUPPORT BRACKET MOUNTING POSITIONS AND SECURE WITH PROVIDED M6 & M8 HEXAGON BOLTS WITH SPRING LOCK WASHERS.

2

WIRING:

LOOSEN THE TEN M6 HEXAGON BLOTS WITH SPRING WASHERS AND NUTS OF REAR ELECTRICAL HOUSING COVER.

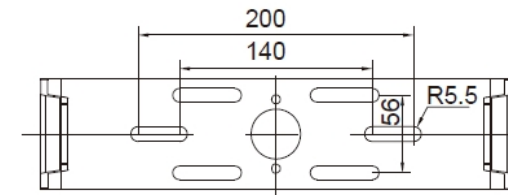
THE ENTRY THREAD OF REAR ELECTRICAL HOUSING IS 3/4" NPT. ATTACH WITH A SUITABLE CONDUIT.

INSET THE WIRE FROM OUTSIDE THROUGH THE CONDUIT AND THE ENTRY HOLE OF REAR ELECTRICAL HOUSING, AND THEN CONNECT TO TERMINAL BLOCK.

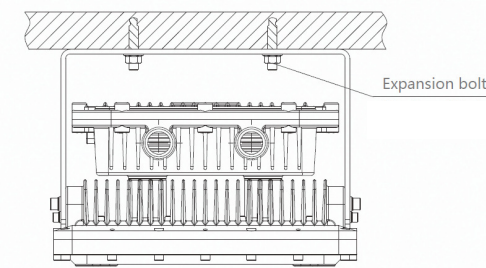
CONNECT WIRING AS PER WIRING COLOR CODES SHOWN ON TABLE.

RE-ATTACH THE REAR ELECTRICAL HOUSING COVER VERIFY SEAL IS PROPERLY POSITIONED AND TORQUE THE TEN M6 HEXAGON BOLTS WITH SPRING WASHERS TO A VALUE 7 N-M. VERIFY THE INTEGRITY OF CONDUIT AND REAR ELECTRICAL HOUSING COVER.

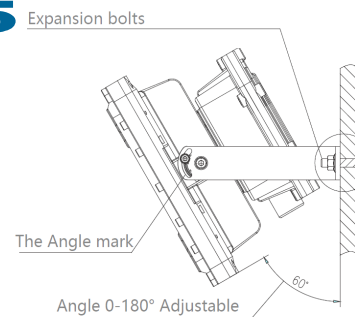
3



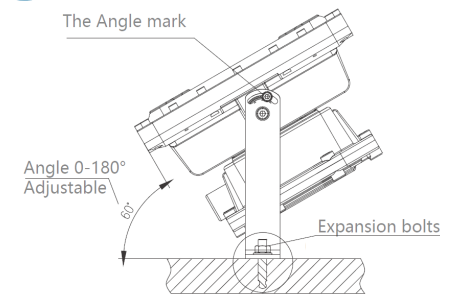
4



5



6



POST MOUNTING

MECHANICALLY CHECK THAT ALL PARTS ARE PROPERLY ASSEMBLED. PERFORM VISUAL, ELECTRICAL, AND MECHANICAL INSPECTION THEN APPLY POWER.

FOR TECHNICAL ASSISTANCE WITH THIS PRODUCT PLEASE CALL 888.LED.LABS (888.533.5227) / 514.484.8462

LEDRAYS INC. 1320 STATE ROUTE 9, CHAMPLAIN, NY 12919