

LINEAR HIGH BAY LED LUMINAIRES

LAB SERIES

DESCRIPTION

The LAB Series LED Luminaires features an inherently ruggedized architecture perfectly suited where the use of traditional painted sheet metal fixtures are not suitable. Designed with AL6063,AL5052 & ADC12 Aluminium and polycarbonate lensing the luminaire structure is highly corrosion resistant and well suited to integration in environment such as warehousing, production plants, cold storage, gymnasiums, hangars and service bays.

Available in four sizes and four power levels with two mounting options and two efficacy options the LAB series LED High Bays are simple to specify for a multitude of applications. Produced with lumen packages up to 42,000lm and efficacies of >140lm/w with Lumileds™ LED engines with a CRI of 80, the LAB is highly energy efficient. With cost effective solutions and high lumen capability the LAB is perfect for large area lighting and similar environments. Configurations offer suspension or surface capability.

Specified with either clear PC lensing for the highest efficacy or semi-translucent PC lensing to address glare and provide wide uniform distribution, the LAB Series Linear LED luminaires provide high levels of light quality.

The LAB Series LED luminaires are equipped with digital drivers with 3 way power protection, optional multi dimming input, emergency back up options and presence sensor integration. Constant current feedback provides stable performance and guards against lumen depreciation.



APPLICATIONS

- Warehousing
- Hangars
- Cold Storage
- Gymnasiums
- Service Bays
- Large Area Lighting

CHT SERIES SPECIFICATIONS

| FIXTURE SERIES | POWER | LED TYPE | CCT | DISTRIBUTION | EXIT LUMEN RANGE | OPERATING VOLTAGE | DIMENSIONS* |
|-------------------|-----------------------|---------------|-------------------------------|--------------|---------------------|-------------------------|-------------------------------------|
| LR-LAB-100W-XX-XX | 100W | Lumileds™ SMD | 4100K (3500-6500K avail) | 120° | 13,000 - 14,000lm | AC90-277V AC180-508V | 560x246x58mm 22x9.68x2.30 " |
| LR-LAB-165W-XX-XX | 165W (A Version) | Lumileds™ SMD | 4100K (3500-6500K avail) | 120° | 21,450 - 23,100lm | AC90-277V AC180-508V | 560x398x58mm 22x15.66x2.30 " |
| LR-LAB-165W-XX-XX | 165W (B Version) | Lumileds™ SMD | 4100K (3500-6500K avail) | 120° | 21,450 - 23,100lm | AC90-277V AC180-508V | 1160x246x58mm 45.66x9.68x2.30 " |
| LR-LAB-210W-XX-XX | 210W | Lumileds™ SMD | 4100K (3500-6500K avail) | 120° | 27,300lm - 29,400lm | AC90-277V AC180-508V | 1160x246x58mm 45.66x9.68x2.30 " |
| LR-LAB-300W-XX-XX | 300W | Lumileds™ SMD | 4100K (3500-6500K avail) | 120° | 39,000lm - 42,000lm | AC90-277V AC180-508V | 1160x398x58mm 45.66x15.66x2.30 " |

* Not Including Hardware (1.5mm Tolerance)



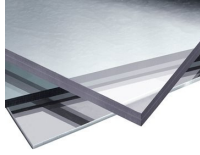
T: 514.484.8462
TF: 888.LED.LABS
(533.5227)

info@ledrays.com
www.ledrays.com

FEATURES



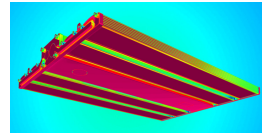
LUXEON™ LP SMD LED



Polycarbonate Lenses



Aluminium Structure

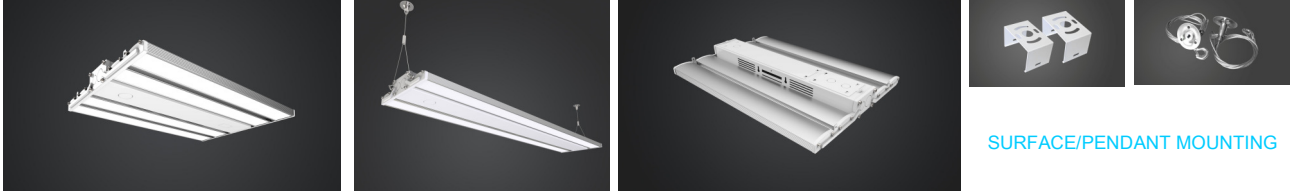


Exceptional Thermal Performance



Digital Drivers

PRODUCT IMAGES



SURFACE/PENDANT MOUNTING

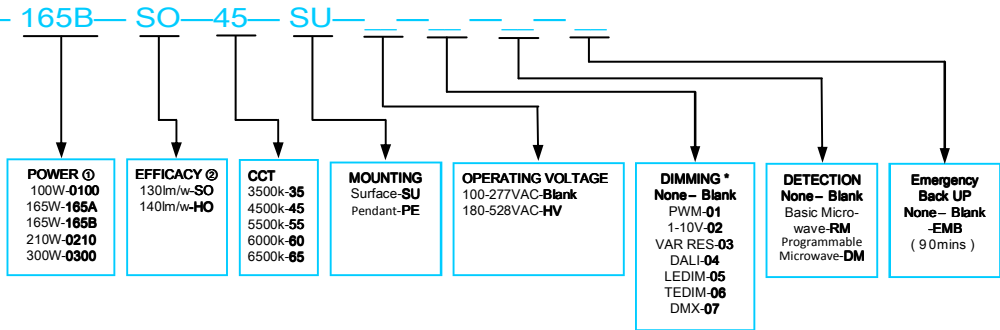
ORDERING INFO: LR-LAB — 165B — SO — 45 — SU — — — — —

ELECTRICAL SPECIFICATIONS

1. Power Input: AC100-277V
2. AC180-528V (Option)
3. Power Factor: ≥97
4. THD: ≤17% @ full Load
5. Standard 2M/6ft cord length

- Ⓞ POWER 165A: Dim. 560x398x58mm
- Ⓞ POWER 165B: Dim. 560x246x58mm
- Ⓞ SO Efficacy: semi-translucent lens
- Ⓞ HO Efficacy: Clear lens

DIM Control: 0-5V, 0-10V, 0-20ma, 4-20ma, RS485, RS-232, PWM, RES, LEDIM, TEDIM, DMX512, DALI, Custom
 * LEDRAYS offers the following dimming options (Please note not all DIM methods apply to a particular product)

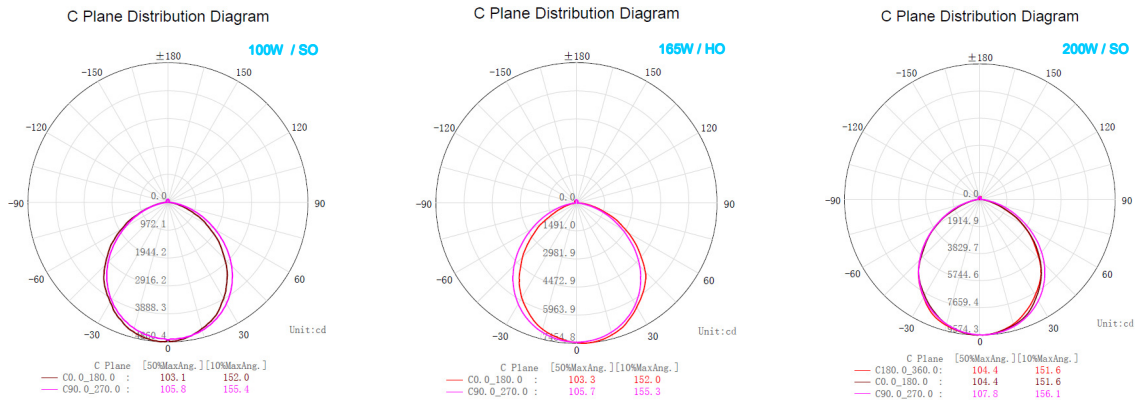


DIMENSIONS / WEIGHTS

* Max weight including all available options

| DIMENSIONS | 560x246x58mm 22x9.68x2.30" | 560x398x58mm 22x15.66x2.30" | 1160x246x58mm 45.66x9.68x2.30" | 1160x398x58mm 45.66x15.66x2.30" |
|------------|-------------------------------|--------------------------------|-----------------------------------|------------------------------------|
| WEIGHT* | 3.77kg/8.3lbs | 4.71kg10.37lbs | 5.72kg12.6lbs | 6.59kg14.5lbs |

PHOTOMETRIC DISTRIBUTION



The specifications in this brochure are representative and must not be interpreted as a guarantee of individual product performance and/or characteristics. LEDRAYS Inc. has a policy of continuous advancements & development specifications may change without notice. Please contact your agent for updates.

T: 514.484.8462
 TF: 888.LED.LABS
 (533.5227)

info@ledrays.com
www.ledrays.com