

LED NEXTGEN High Bay

ITM Structure



LED RAYS
MASTERING LIGHT

HBM IL Series

NEW

Features

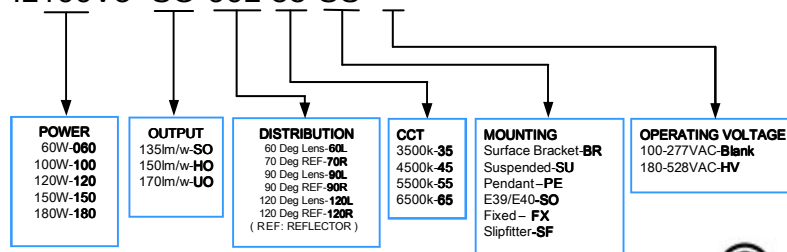
- Ultra-light & Compact High Bay with Beam Control
- Unique Integrated Thermal Management (ITM) Structure for exceptional thermal dissipation
- Nichia™ HB LED
- Digital driver with 5 way I²O protection
- Forged Aluminium housing
- Rated IP66
- Custom oxide coating process
- Harsh environment capability
- >105,000hrs L70 at 25°C Ambient



Product Specifications

Model	Power	LED Type	CCT	Efficacy (see options)	Luminous Flux	Beam Angle	IP Level
LR-HBM-IL60-v3	60W	Nichia™	4500-6500K	≥150lm/W	8500-9500lm	60°/70°/90°/120°	IP66
LR-HBM-IL100-v3	100W	Nichia™	4500-6500K	≥150lm/W	14500-15500lm	60°/70°/90°/120°	IP66
LR-HBM-IL120-v3	120W	Nichia™	4500-6500K	≥150lm/W	17500-18500lm	60°/70°/90°/120°	IP66
LR-HBM-IL150-v3	150W	Nichia™	4500-6500K	≥150lm/W	22000-23000lm	60°/70°/90°/120°	IP66
LR-HBM-IL180-v3	180W	Nichia™	4500-6500K	≥150lm/W	26500-27500lm	60°/70°/90°/120°	IP66

ORDERING CODE: LR-HBM-IL100V3 -SO-90L-55-SU- --



Electrical Specifications

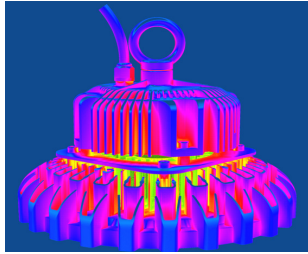
1. Power Input: AC90-305V
2. Power Factor: ≥96
3. THD: ≤15% @ full Load
4. Dimming: Yes optional



Product Specifications



NICHIA 757D HB SMD LED for Exceptional High Efficacy



Unique ITM Technology Ingeniously Manages Thermal Dissipation



IP66 Rating, Oxide Coating and Flexible Mounting Options



Separate Driver Housing Isolates Electronics for Longer Life and

Forged Ultra lightweight Aluminum structure

IP66 Ingress Protection

NICHIA 757D SMD LED UP to 170lm/W Efficacy

Separate Driver Housing

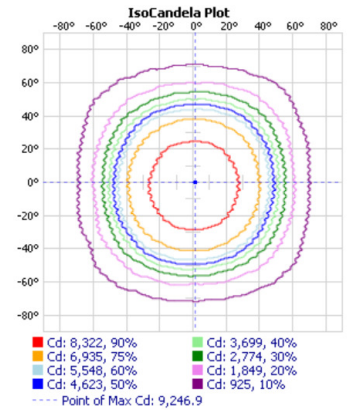
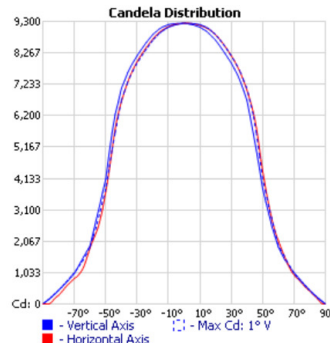
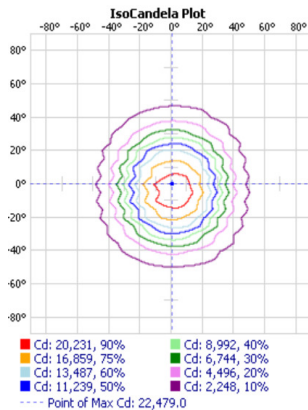
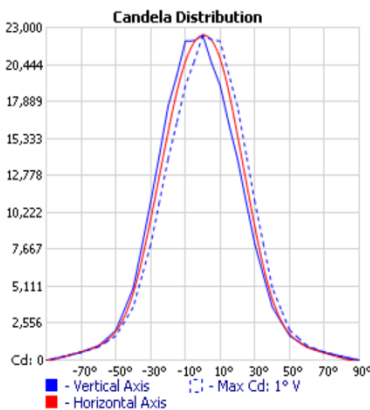
Superior Thermal Dissipation

60°/70°/90°/120° Distribution Options

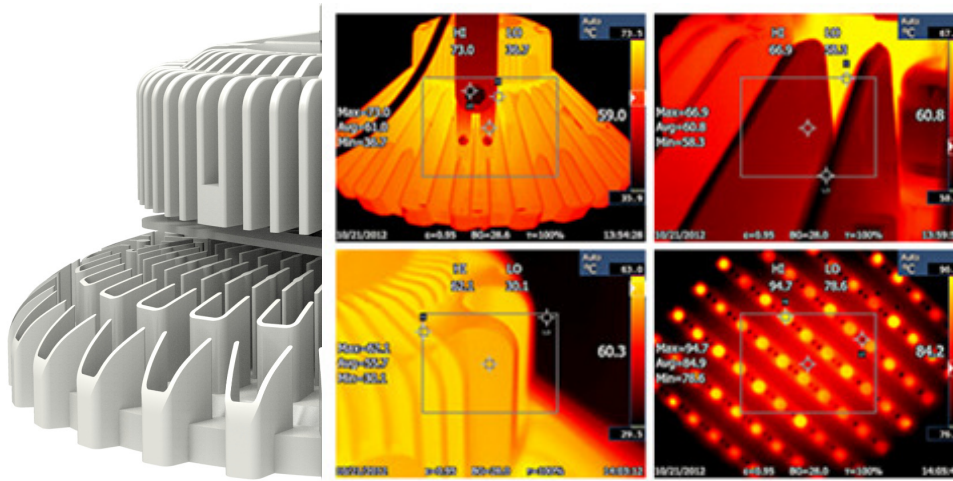
Distribution Curves

HBM-IL180 v3-60C (60 deg)

HBM-IL150 v3-90C (90 deg)

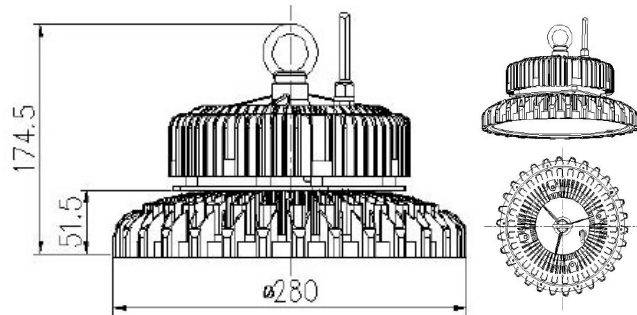
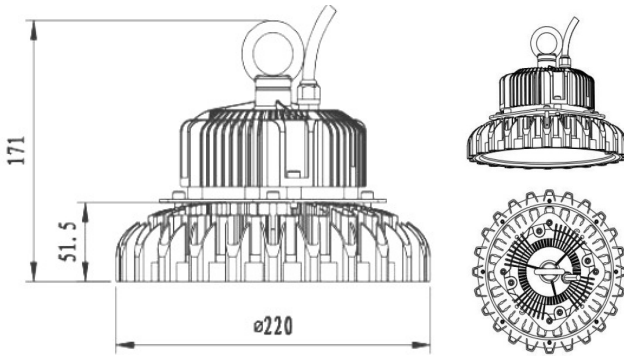


THERMALLY EFFICIENT FOR AMBIENT ENVIRONMENTS UP TO 50°C



Physical Dimensions:
HBM-IL 60W-120W (without mounting option)
Weight: 2.5kg ±0.4kg

Physical Dimensions:
HBM-IL 150W-180W (without mounting option)
Weight: 3.4kg ±0.4kg (150W) 4.2kg ±0.4kg (180W)



Mounting Options:

Hook
(SU)

Wall
(BR)

Pendant
(PE)

E39/E40
(SO)

Fixed
(FX)

Slipfitter
(SF)



*The specifications in this brochure are representative and must not be interpreted as a guarantee of individual product performance and/or characteristics.
LEDRAYS Inc. has a policy of continuous advancements & development specifications may change without notice. Please contact your rep for updates.*