

LED HAZLOC FIXTURE



LED RAYS
MASTERING LIGHT

HLC 99 Series

NEW

PRELIMINARY



Features

- Hazardous Location Luminaire
- Perfect for Environmental Chambers, Beverage process, Sightglass, Sight Flow, Manways, Access Doors
- Unique Thermal Management (TMS) Structure for Exceptional Dissipation
- High Power CREE™ COB LED
- Digital Driver for Ultimate Reliability
- Cast Aluminium Precision Machined Housing Provides Separate Compartments for Electronics & Wiring
- Custom Powder Coating Process for Harsh Environment Capability
- Field Replaceable Narrow, Medium or Wide distribution with High Grade Reflectors for Exceptional Performance

LONG LIFE
LED
TECHNOLOGY



NOVATION
COB
INNOVATION

Product Specifications

Model	Power (Typ.)	LED Type	CCT	Efficacy	Luminous Flux (Typ.)	Beam Angle	Input Voltage
LR-HLC99-14-55N	14W	CREE™	5500K (4500K-5500K Option)	≥93lm/W	1300lm	Sym. 28°	120 / 240 / 277VAC 47-63Hz
LR-HLC99-14-55M	14W	CREE™	5500K (4500K-5500K Option)	≥93lm/W	1300lm	Sym. 58°	120 / 240 / 277VAC 47-63Hz
LR-HLC99-14-55W	14W	CREE™	5500K (4500K-5500K Option)	≥93lm/W	1300lm	Sym. 88°	120 / 240 / 277VAC 47-63Hz

Electrical Specifications:

1. Power Input: AC120-277V
2. AC180-508V (Option)
3. Power Factor: ≥95
4. THD: ≤15% @ full Load
5. 2250lm 26W Option (LR-HLC99-26-55M)
6. Dimming: Yes optional
7. Thermal RollBack: Yes optional

RATING: UL 844 Listed

This fixture is suitable for use in the following locations as defined by the National Electrical Code:

Class Division Groups

- 1 1 C and D
- 1 2 C and D

Temperature Code: T3A

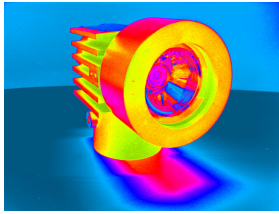
This fixture is rated for Temperature Code T3A

LED HAZLOC FIXTURE

Product Specifications



CREE™ HP LED Achieves High Efficacy



Unique Thermal Management (TMS) Structure



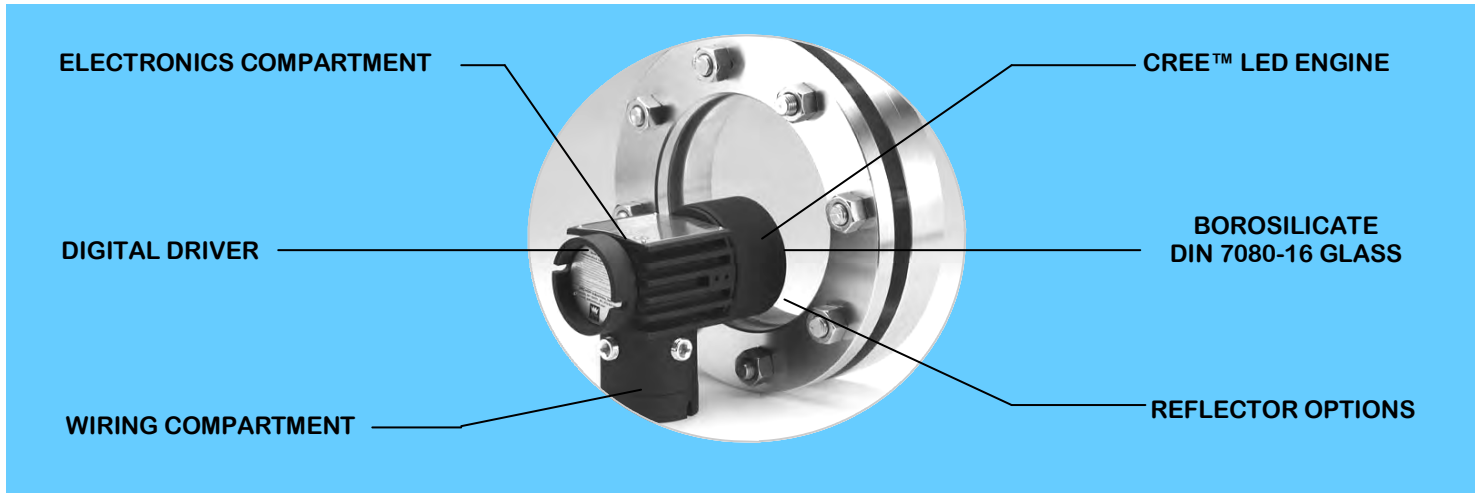
PC-Al Reflectors with High Lighting Efficiency



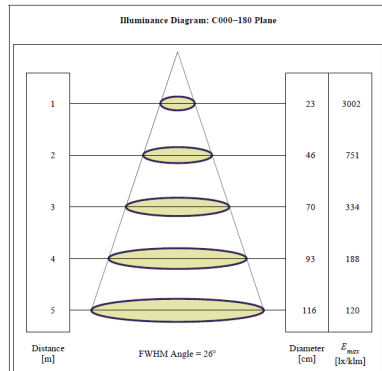
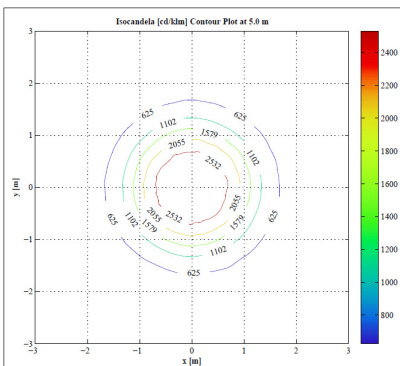
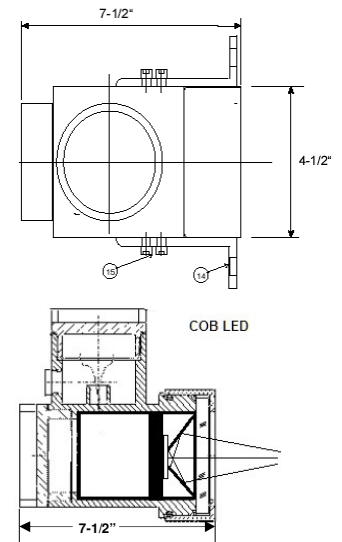
Precision Machined Internals



Digital Driver with 5 Way Protection & Monitoring Loop



LED vs. Halogen	Halogen	LED
Power Consumption	100W	14W
Operating temperature (Interior)	278°F (136°C)	94°F (55°C)
Operating temperature (Exterior)	170°F (76°C)	87°F (31°C)
Lumen Output	~700	~1300
Efficacy	7 lm/w	93 lm/w
Lamp hours	<1000 hrs	>65,000 hrs
Lens Option	NO	Narrow, Medium & Wide
Color Temperature	Fixed 2900K	2700-6500K
Input Voltage (Range)	AC120V	AC120-277V
Input Current	AC 0.83A	AC 0.12A
Assembly Weight	6lb 13oz (2.78kg)	8lb 8oz (3.99kg)



The specifications in this brochure are representative and must not be interpreted as a guarantee of individual product performance and/or characteristics. LEDRAYS Inc. has a policy of continuous advancements & development specifications may change without notice. Please contact your rep for updates.