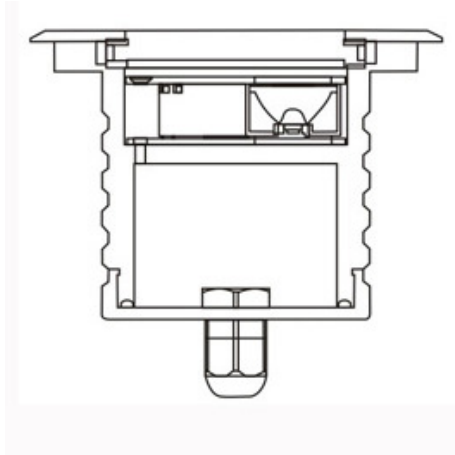


In-Ground LED fixture with
Integrated constant current regulation



CAUTION:
Use drivers designed for constant current internally regulated luminaires only.

The operating voltage for this LED luminaire is 12VDC.

Note: Operating voltage range for LED luminaires will vary depending on model, style and total number of LEDs. To help determine the operating voltage range for each LED RAYS luminaire, always consult factory's specification sheet and/or installation instructions before installation.

Please read all the safety warnings that came with this luminaire.

Due to continuous product improvement specifications subject to change without notice.

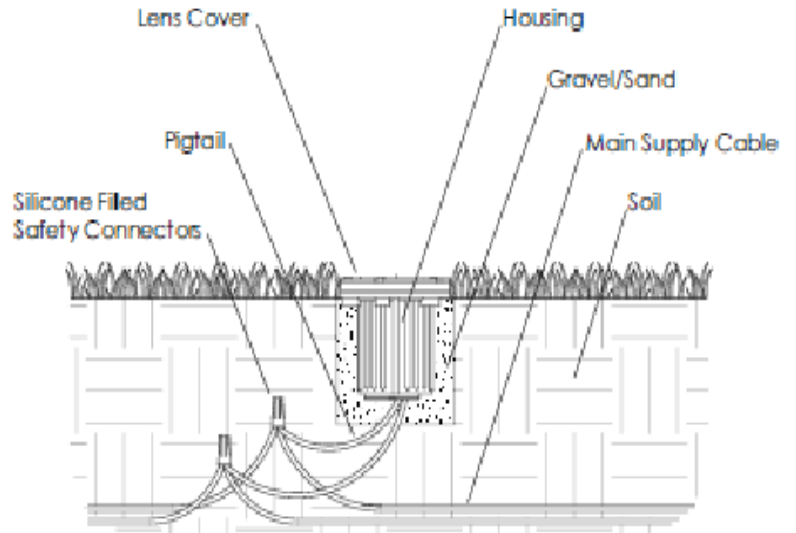
For more info www.ledrays.com

PRECAUTION: The TerraWalk 3 luminaire is not submersible and adequate drainage must be provided for exterior installation. It is recommended the luminaire be surrounded by 3" to 4" of pea gravel or sand to assure proper drainage. Top of luminaire must be above grade so rain and irrigation water will not accumulate.

IN-GRADE SOIL INSTALLATION:

1. To prevent electrical shock, disconnect driver from electrical supply before installation or service.
2. Dig hole approximately 7" diameter by 7" deep. This allows approximately 3" of pea gravel or sand to surround luminaire housing.
3. Strip (2) leads from luminaire pigtail wire. Using two (2) silicone filled safety connectors (not provided), connect leads from luminaire to electrical supply wire leads.

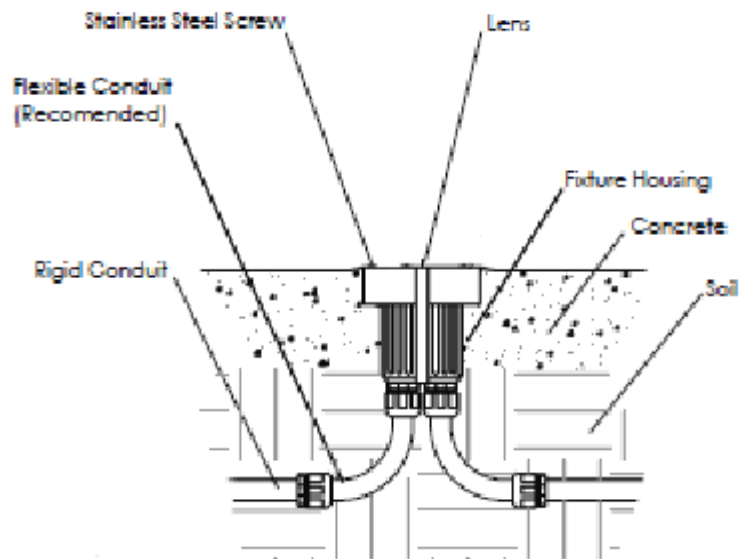
- NOTE:** Luminaires are supplied with 25cm of 18-2 cable pigtail for secure connection to electrical supply cable. Wire is to be protected by routing in close proximity to luminaire. Wiring shall be buried a maximum of 6 inches (15.2 cm) in order to connect to electrical supply wire.
4. Install luminaire in hole and backfill hole after installation with pea gravel or sand.
 5. Provide power to luminaire and check for proper operation.



CONCRETE POUR INSTALLATION:

1. To prevent electrical shock, disconnect driver from electrical supply before installation or service.
2. Prepare hole approximately 8" diameter to a depth suitable to make top of fixture flush to 1/8" above grade. Pea gravel or sand is recommended for seating the luminaire sleeve housing to aid positioning.
3. Remove LED assembly and wiring exposing conduit entry holes in sleeve housing.
4. Install conduit through provided holes in bottom or sides of the luminaire. Plug & seal unused conduit entry if required.
5. Support luminaire in selected position using standard masonry procedures.
6. Pour concrete at least 2" thick.

- NOTE:** When installing in concrete, luminaire must be flush to 1/8" above grade to promote water run-off.
7. Pull electrical supply wires (line in) through conduit and luminaire. Pull wires long enough for manual connections with safety connectors (4" to 6" above the top rim of luminaire).
 8. Make wire connections to luminaire as required using the safety connectors.
 9. Coil wire leads along bottom of sleeve housing.
 10. Install LED assembly and tighten screws evenly.
 11. Provide power to luminaire and check for proper operation.



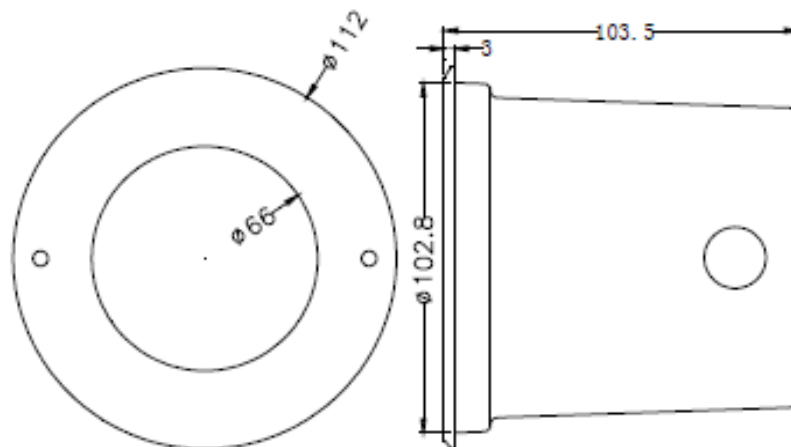
SPECIFICATIONS:

Specification	Model	TerraWalk 3	TerraWalk 3HP	TerraWalk 6	TerraWalk 6HP
Performance	LED source	3 x 1W power LED	3 x 3W high power LED	6 x 1W power LED	6 x 3W high power LED
	Power (W)	4.2W	8.5W	7.6W	16.9W
	Exit lumen Typ. lm(5500K)	145	320	265	625
	Lumen maintenance L70@ 25° C	>40,000Hrs	>40,000Hrs	>40,000Hrs	>40,000Hrs
	Lens optical efficiency	≥88%	≥88%	≥88%	≥88%
	Junction temperature Tj	<72°C	<78°C	<72°C	<78°C
Electrical	Light color	2800-7000k & RGB	2800-7000k & RGB	2800-7000k & RGB	2800-7000k & RGB
	Beam angle	25,45 or 90°	25,45 or 90°	25,45 or 90°	25,45 or 90°
	Optional control	DMX512, 4 wire CA, 0-10V, PWM, LEDIM/TEDIM	DMX512, 4 wire CA, 0-10V, PWM, LEDIM/TEDIM	DMX512, 4 wire CA, 0-10V, PWM, LEDIM/TEDIM	DMX512, 4 wire CA, 0-10V, PWM, LEDIM/TEDIM
	Power supply UL (not included)	DC12V Input	DC12V Input	DC24V Input	DC24V Input
Mechanical	Housing material	Die cast Aluminium RAL9007 powder coated	Die cast Aluminium RAL9007 powder coated	Die cast Aluminium RAL9007 powder coated	Die cast Aluminium RAL9007 powder coated
	Sleeve material	Polycarbonate or Aluminium	Polycarbonate or Aluminium	Polycarbonate or Aluminium	Polycarbonate or Aluminium
	IP rating	IP67	IP67	IP67	IP67
	Dimensions mm	103.5L x 112Ø	103.5L x 112Ø	113L x 156Ø	113L x 156Ø
	Front aperture	Tempered Glass 8mm	Tempered Glass 8mm	Tempered Glass 8mm	Tempered Glass 8mm
	Operating temperature	-20~45°C	-20~45°C	-20~45°C	-20~45°C

Notes:

- If unspecified standard CCT will be 4000-4200K (Neutral white)
- For RGB units standard control is DMX512
- 25cm flying leads no connectors standard

Dimensions:



Attention:

Follow all applicable building & electrical codes during the installation

1. The unit is not suitable for underwater installation.
2. Do not install the unit near naked flames, where high heat conditions are present or where unrated shocks, vibration and impacts are possible.
3. Do not attempt to dismantle or modify the unit.
4. Avoid looking directly into the LED light beam at close range.
5. Do not power LED fixtures while still in original packaging.

Installation:

1. The TerraWalk 3 In-Ground LED fixtures should only be connected to the CV series drivers.
2. Other drivers must be approved by LEDRays prior to installation.
3. Using the recommended LEDRays driver the LED fixtures are wired in parallel across the driver output.
4. Make sure the controller and power supply operate in a ventilated & dry environment
5. Please pay attention to load on the driver secondary (Output)
6. Use the formula below to determine the maximum number of fixtures per driver.

Number of fixtures (W) x power rating of each fixture (W) + 20%= Total power watts

Total power (W) must be below rated driver power output (W)

1. Maximum number of fixtures for each driver will also be dependent on cable size and length. De-rate the cable according to length and AWG.
2. Additionally the inrush current of the driver(s) must be considered. Refer to the driver specifications for max inrush current.
3. Do not use dimmers or controllers unless provided with luminaires
4. AC Line input voltage for the driver is Blue is Neutral, Brown is Live or line
5. DC output for the driver is Black is negative & Red is positive
6. Observe proper polarity for the luminaire Blue or Black is DC negative Brown or Red is DC positive
7. Use appropriate connectors for the driver secondary as necessary to maintain the IP rating.
8. The sleeve housing can be installed in concrete, pavement or ground or different wall materials.
9. Use only the screws, supports, attachments and accessories provided.

WARNING: Luminaires must be installed in accordance with the National Electrical Code (NEC) and local building codes. Failure to do so will void the warranty and may result in serious injury and/or damage to the luminaire.

FAILURE TO FOLLOW THESE AND SAFETY WARNINGS INSTRUCTIONS PROVIDED WILL VOID THE WARRANTY AND MAY RESULT IN SERIOUS INJURY AND/OR DAMAGE TO THE FIXTURE AND/OR PROPERTY.

LUMINAIRES ARE NOT TO BE INSTALLED WITHIN 10 FT. (3.05M) OF A POOL OR SPA. SECONDARY CABLE IS NOT TO BE BURIED MORE THAN 6”.

WHEN USING MULTIPLE LUMINAIRES, LOAD IS NOT TO EXCEED THE TOTAL WATTS OF TRANSFORMER RATING.

DO NOT USE EXTENSION CORDS ON DRIVER POWER UNITS.

NOTE: Always use ULC recognized wire connectors for connections.