

# LED

## Linear High Bay

### LEDRays MEPI™



# LED RAYS

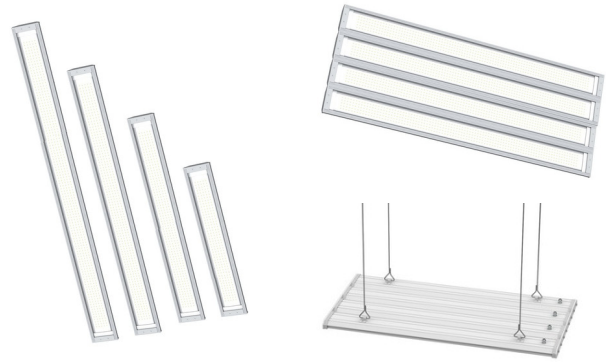
MASTERING LIGHT

## LHB Series

### NEW

### Features

- Integrated Linear LED Luminaire
- MEPI™ Low Power LED
- >120lm/w Efficacy
- Over 120000lm in Quad Configuration
- IP65-67 Rating Indoor or Outdoor Use
- Digital Drivers with 4 Way Protection
- AL6063 Aluminium Housing for High Thermal Performance
- 65,000hrs L70 at 25°C Ambient



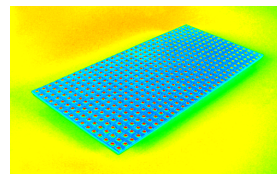
### Product Features



Low Power MEPI™ SMD LED



Ultra High Efficiency LHB™ Design



Exceptional Thermal Performance



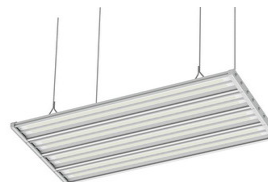
Digital Driver with 4 Way protection



AL6063 Extrusion



High Performance MCPCB



Suspension Mounting System



Input JB/Stainless Hardware

### Electrical Specifications

1. Power Input: AC100-277V
2. AC180-528V (Option)
3. Power Factor:  $\geq 96$
4. THD:  $\leq 15\%$  @ full Load
5. Dimming: Yes optional



# MEPI

[www.ledrays.com](http://www.ledrays.com)

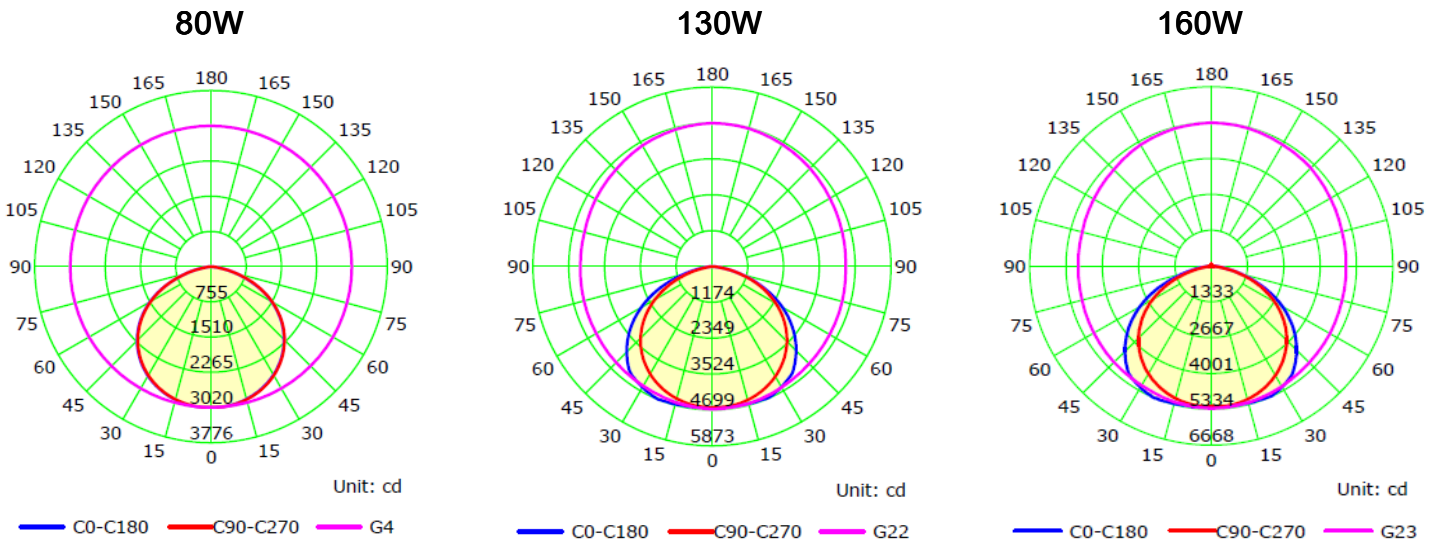
## Product Specifications: Configuration- Single High Bay

Model	Power	LED Type	CCT	Efficacy	Luminous Flux	CRI	Beam Angle	IP Level
LR-LHB50EW	50W	MEPI™	2700-6500K	≥115lm/W	5750lm	78-85	120°	IP55
LR-LHB60EW	60W	MEPI™	2700-6500K	≥120lm/W	7200lm	78-85	120°	IP65-67
LR-LHB80EW	80W	MEPI™	2700-6500K	≥120lm/W	9600lm	78-85	120°	IP65-67
LR-LHB100EW	100W	MEPI™	2700-6500K	≥120lm/W	12000lm	78-85	120°	IP65-67
LR-LHB130EW	130W	MEPI™	2700-6500K	≥120lm/W	15600lm	78-85	120°	IP65-67
LR-LHB160EW	160W	MEPI™	2700-6500K	≥120lm/W	19200lm	78-85	120°	IP65-67
LR-LHB200EW	200W	MEPI™	2700-6500K	≥120lm/W	24000lm	78-85	120°	IP65-67
LR-LHB250EW	250W	MEPI™	2700-6500K	≥120lm/W	30000lm	78-85	120°	IP65-67

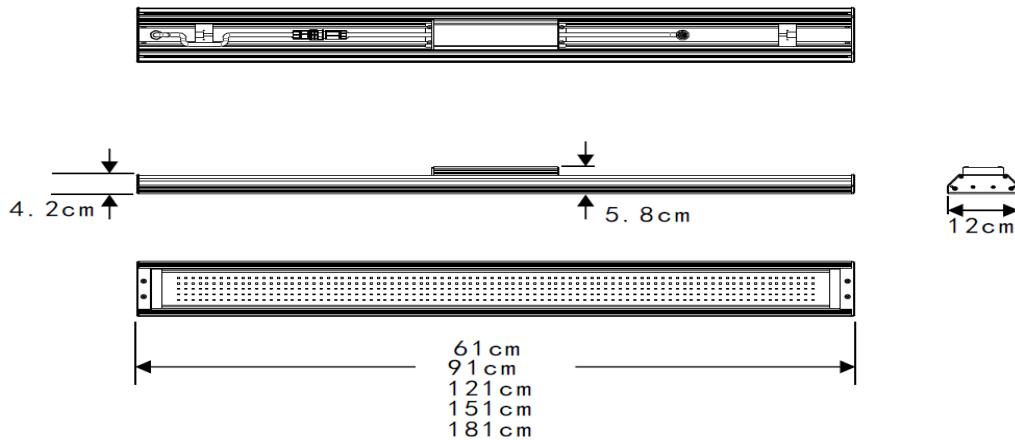
## Product Specifications: Configuration- Quad High Bay

Model	Power	LED Type	CCT	Efficacy	Luminous Flux	CRI	Beam Angle	IP Level
LR-LHB50EWQ	4 x 50W	MEPI™	2700-6500K	≥115lm/W	23000lm	78-85	120°	IP55
LR-LHB60EWQ	4 x 60W	MEPI™	2700-6500K	≥120lm/W	28800lm	78-85	120°	IP65-67
LR-LHB80EWQ	4 x 80W	MEPI™	2700-6500K	≥120lm/W	38400lm	78-85	120°	IP65-67
LR-LHB100EWQ	4 x 100W	MEPI™	2700-6500K	≥120lm/W	48000lm	78-85	120°	IP65-67
LR-LHB130EWQ	4 x 130W	MEPI™	2700-6500K	≥120lm/W	62400lm	78-85	120°	IP65-67
LR-LHB160EWQ	4 x 160W	MEPI™	2700-6500K	≥120lm/W	76800lm	78-85	120°	IP65-67
LR-LHB200EWQ	4 x 200W	MEPI™	2700-6500K	≥120lm/W	96000lm	78-85	120°	IP65-67
LR-LHB250EWQ	4 x 250W	MEPI™	2700-6500K	≥120lm/W	120000lm	78-85	120°	IP65-67

## Luminous Intensity Distribution Curve (Single configuration)



## Product Specifications



Model	Length mm	Width mm	Height mm	Weight kg
LR-LHB50EW	610	120	58	2.2kg/4.85lbs
LR-LHB60EW	610	120	58	2.8kg/6.15lbs
LR-LHB80EW	610	120	58	3.0kg/6.6lbs
LR-LHB100EW	910	120	58	3.2kg/7.05lbs
LR-LHB130EW	1210	120	58	5.0kg/11lbs
LR-LHB160EW	1210	120	58	5.2kg/11.45lbs
LR-LHB200EW	1510	120	58	6.2kg/13.65lbs
LR-LHB250EW	1810	120	58	8.2kg/18.05lbs

The specifications in this brochure are representative and must not be interpreted as a guarantee of individual product performance and/or characteristics.

LEDKeys Inc. has a policy of continuous advancements & development specifications may change without notice. Please contact your rep for updates.