



NEW

### Features

- Unique heatsink offering unparalleled thermal capability
- Nichia™ structured high power LED Array.
- 310W high power in a fully modular design
- Lensing flexibility provides optimized photometric distribution
- 31500 lm & >100lm/w for 310W
- Digital driver with 5 way I<sup>2</sup>O protection
- Exceptional power factor & low THD
- 6063 Aluminium extrusion & 340 Stainless hardware
- Highly customizable for application specific performance
- 60,000hrs L70 at 30°C Ambient



### Product Specifications

Model	Power	LED Type	CCT	Efficacy	Luminous Flux	Beam Angle	IP Level
LR-HPFM-310-v4N9	310W	Nichia™	4500-6500K	≥100lm/W	28500-31500lm	V60°/H90°	IP65 Option IP68
LR-HPFM-310-v4N13	310W	Nichia™	4500-6500K	≥100lm/W	28500-31500lm	V85°/H135°	IP65 Option IP68
LR-HPFM-310-v4N15	310W	Nichia™	4500-6500K	≥100m/W	28500-31500lm	V85°/H150°	IP65 Option IP68

### Electrical Specifications

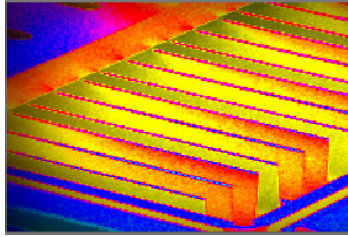
- 1.Power Input: AC100-277V
- 2.AC180-508V (Option)
- 3.Power Factor: ≥96
- 4.THd: ≤15% @ full Load
- 5.Dimming: Yes optional



## Product Specifications



Fully Serviceable Modular Design



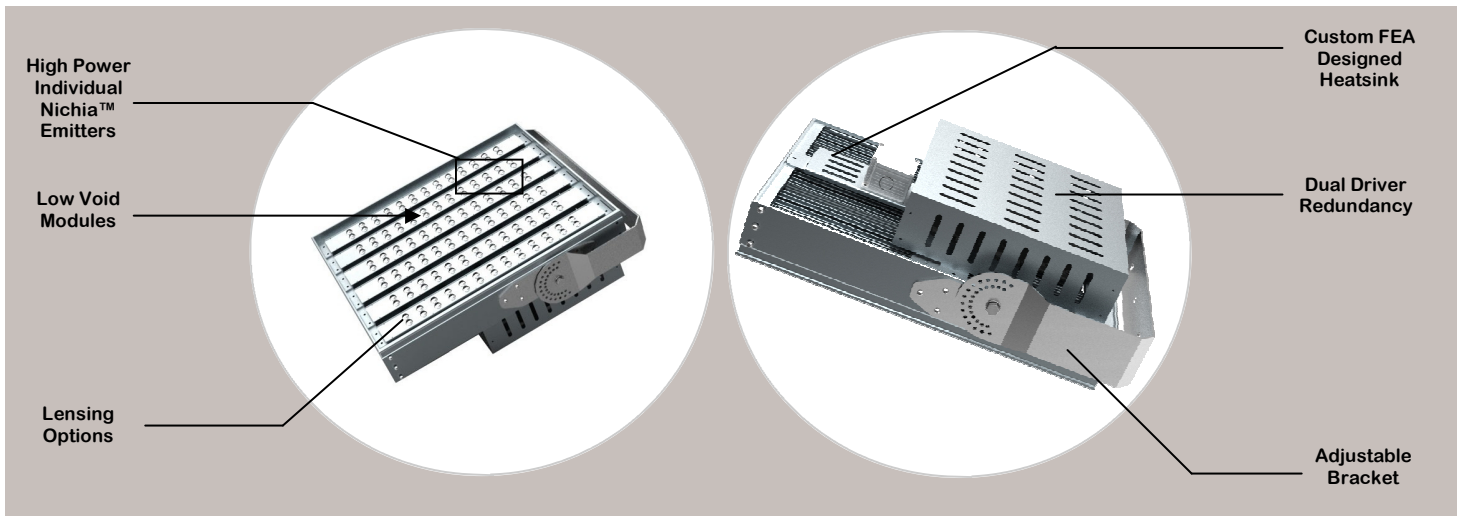
Advanced thermal pathways for Exceptional cooling



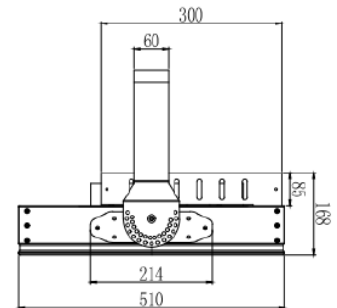
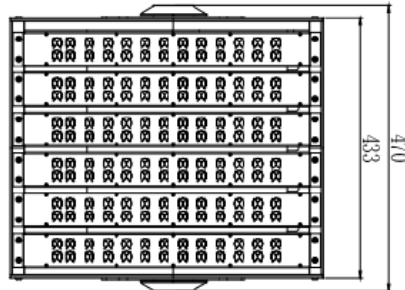
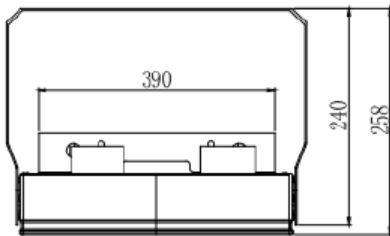
Large Area Lighting Performance



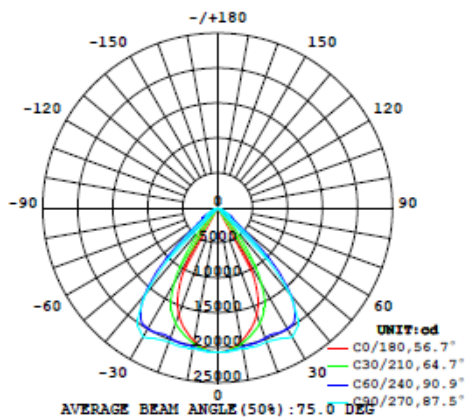
Dual Redundant Digital Drivers



## Dimensions (Weight 15.6Kg ± 0.2Kg)



## Typical Luminous Intensity Distribution



The specifications in this brochure are representative and must not be interpreted as a guarantee of individual product performance and/or characteristics.

LED Rays Inc. has a policy of continuous advancements & development specifications may change without notice. Please contact your rep for updates.