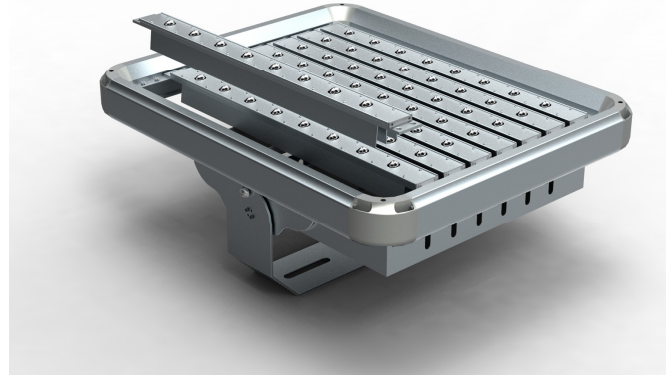




Features

- Unique heatsink offering unparalleled thermal capability
- Nichia™ or Cree™ structured high power LED Array.
- 40W to 300W+ high power in a fully modular design
- Lensing flexibility provides optimized photometric distribution
- 31500 lm & >105lm/w for 300W
- Digital driver with 5 way I²O protection
- Exceptional power factor & low THD
- AC100-508V range + DC option
- Aluminium extrusion & stainless hardware for extreme reliability
- Highly customizable for application specific performance
- 50,000hrs L70 at 30°C Ambient



Product Specifications

Model	Power	LED Type	CCT	Efficacy	Luminous Flux	Beam Angle	IP Level
LR-HPFM-40-v3N	40W	Nichia™/Cree™	4500-5500K	≥102lm/W	3800-4100lm	V60°/H90° V85°/H135° V85°/H150°	IP65-68
LR-HPFM-60-v3N	60W	Nichia™/Cree™	4500-5500K	≥102lm/W	5500-6150lm	V60°/H90° V85°/H135° V85°/H150°	IP65-68
LR-HPFM-90-v3N	90W	Nichia™/Cree™	4500-5500K	≥102lm/W	8500-9300lm	V60°/H90° V85°/H135° V85°/H150°	IP65-68
LR-HPFM-120-v3N	120W	Nichia™/Cree™	4500-5500K	≥102lm/W	11500-12500lm	V60°/H90° V85°/H135° V85°/H150°	IP65-68
LR-HPFM-150-v3N	150W	Nichia™/Cree™	4500-5500K	≥102lm/W	14500-15500lm	V60°/H90° V85°/H135° V85°/H150°	IP65-68
LR-HPFM-180-v3N	180W	Nichia™/Cree™	4500-5500K	≥102lm/W	16000-18500lm	V60°/H90° V85°/H135° V85°/H150°	IP65-68
LR-HPFM-300-v3N	300W	Nichia™/Cree™	4500-5500K	≥105lm/W	28500-31500lm	V60°/H90° V85°/H135° V85°/H150°	IP65-68

Electrical Specifications

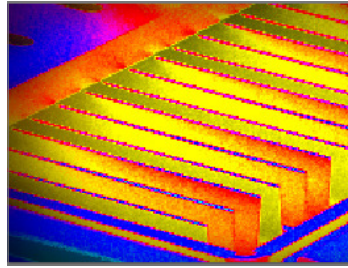
1. Power Input: AC100-277V
2. AC180-508V (Option)
3. Power Factor: ≥96
4. THD: ≤15% @ full Load
5. Dimming: Yes optional



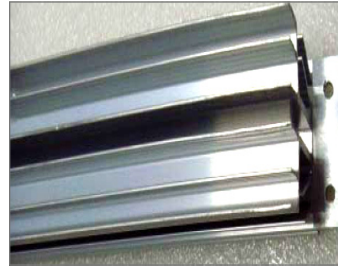
Product Specifications



Fully serviceable modular design in an Aluminium extrusion chassis achieves Ultra High Efficacy



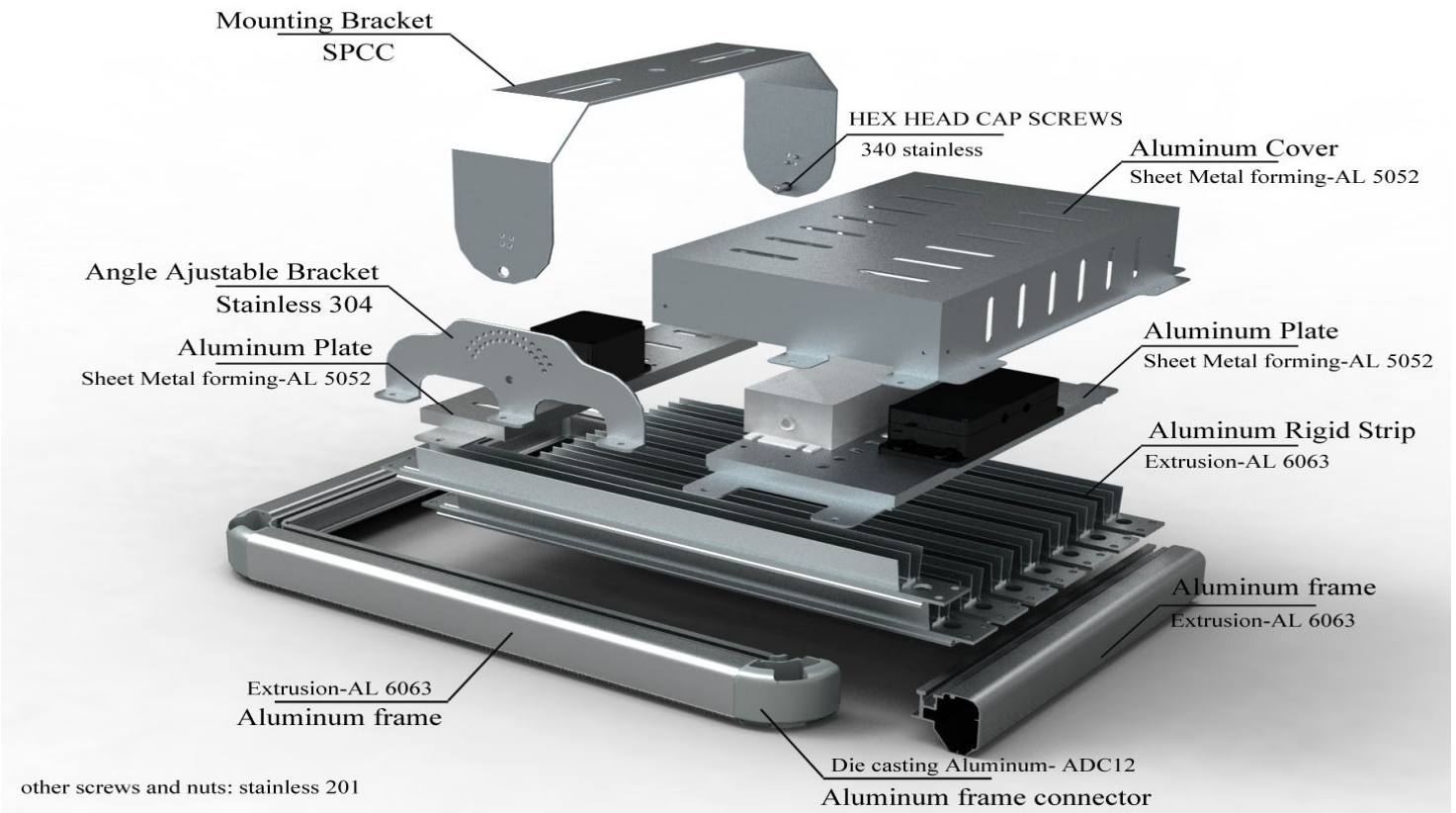
Advanced thermal pathways greatly improves heat dissipation and cooling



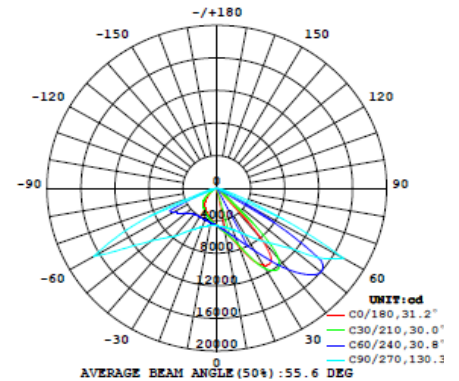
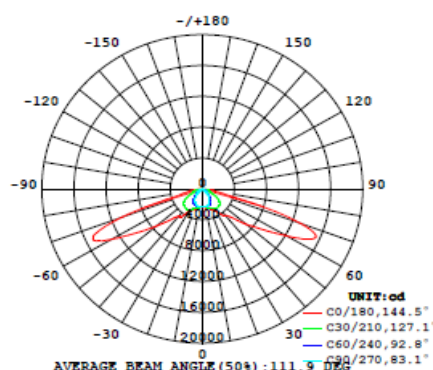
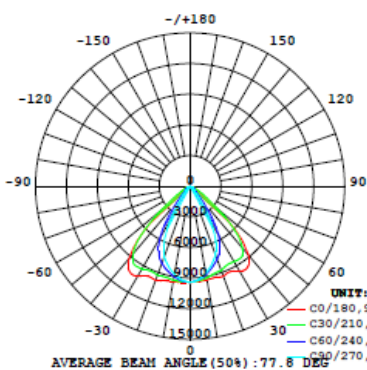
Unique custom heatsink for improved thermal dissipation Low Tj and longer product life



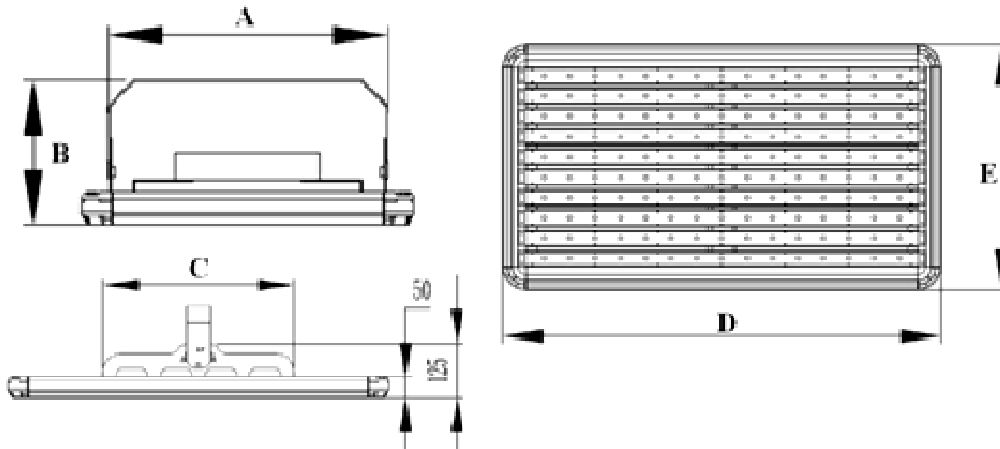
Sealed junction box for cable entry for ease of integration & servicing



Typical Distribution Curves (HPFM-150)



Dimensions & Weights



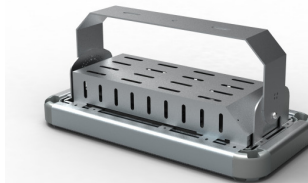
HPFM	40W	60W	90W	120W	150W	180W	300W
A (mm)	339	339	440	440	440	428	428
B (mm)	191	191	191	191	191	221	221
C (mm)	142	228	120	220	220	450	450
D (mm)	418	418	520	520	520	900	900
E (mm)	256	340	340	424	508	508	508
Weight	4.3±0.5kg	5.5±0.5kg	5.9±0.5kg	8.2±0.5kg	10.2±0.5kg	11.0±0.5kg	14.8±0.5kg

Mounting:

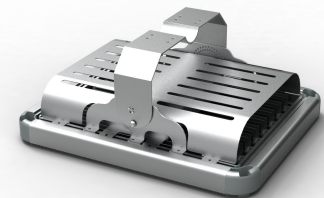
Swivel Bracket vertical



Swivel Bracket Horizontal



Pole & Adapter



The specifications in this brochure are representative and must not be interpreted as a guarantee of individual product performance and/or characteristics.

LEDRAYS Inc. has a policy of continuous advancements & development specifications may change without notice. Please contact your rep for updates.