

High Power Downlight

LR-HPDL82W-C Series



Luminaire

Type: Multi light engine with lensing

Model #: LR-HPDL82W-XX-C

LED Type: CREE XPG

LED QTY: 35

Certificate: CUL-ETL-ESA

Luminaire Parameters (Ext. driver)

Voltage: AC120V-AC220V Current AC 0.4A-AC 0.81A

Power:: 81.9W

Power Factor: 0.91

Frequency: 50-60Hz

CCT: 3000K

Beam angle: 25 & 50°

Photometric Parameters

Luminaire Flux: 5822.96 lm

Luminaire Eff.: 83.19%

Max Intensity: 15990.76cd

Central Intensity: 15990.76cd

Angle of Max Intensity: C:0 G:0

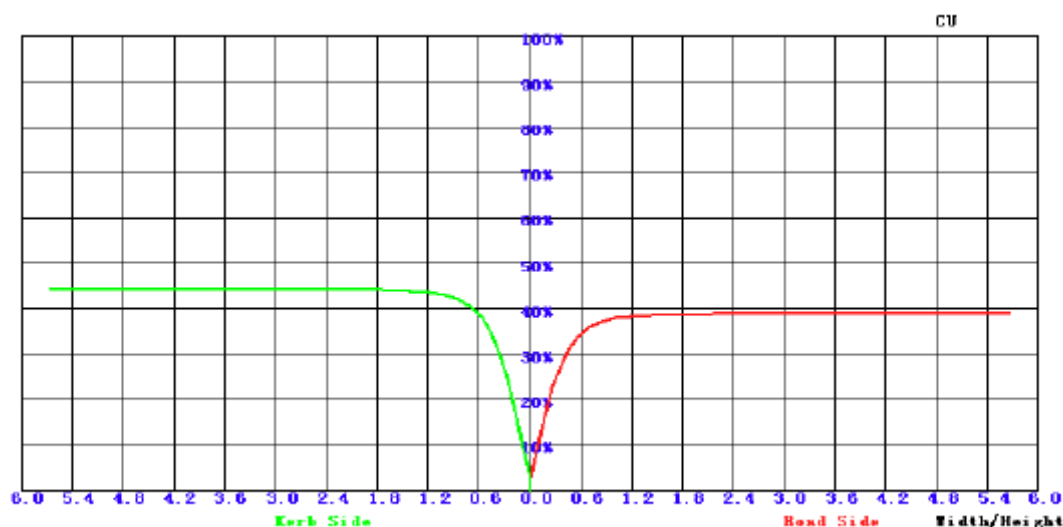
Upward Flux Ratio 0.0%

Downward Flux Ratio: 83.1%

Zonal Flux

Gamma [°]	I _{mean} [cd]	Zonal Flux [lm]	Sum.Flux [lm]	Zonal Flux [%]	Sum.Flux [%]
0	15990.75	0.00	0.00	0.00	0.00
5	14498.58	364.49	364.49	5.21	5.21
10	10998.63	912.12	1276.61	13.03	18.24
15	7288.79	1084.80	2361.41	15.50	33.73
20	4448.94	967.35	3328.76	13.82	47.55
25	2692.79	749.04	4077.80	10.70	58.25
30	1720.34	558.48	4636.28	7.98	66.23
35	1109.91	416.77	5053.05	5.95	72.19
40	657.60	294.90	5347.95	4.21	76.40
45	375.16	191.22	5539.17	2.73	79.13
50	215.03	119.26	5658.43	1.70	80.83
55	111.27	70.95	5729.38	1.01	81.85
60	54.99	38.43	5767.81	0.55	82.40
65	27.14	19.97	5787.77	0.29	82.68
70	18.74	11.62	5799.39	0.17	82.85
75	13.45	8.41	5807.80	0.12	82.97
80	10.21	6.33	5814.14	0.09	83.06
85	7.91	4.93	5819.06	0.07	83.13
90	6.32	3.90	5822.96	0.06	83.19

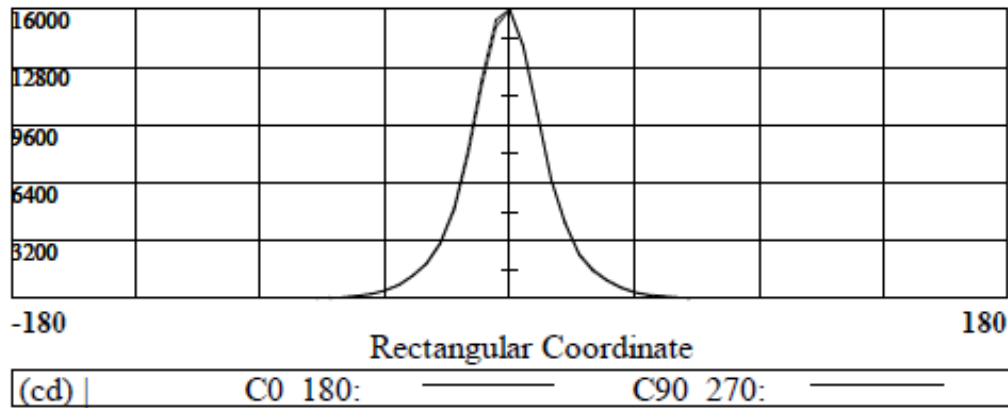
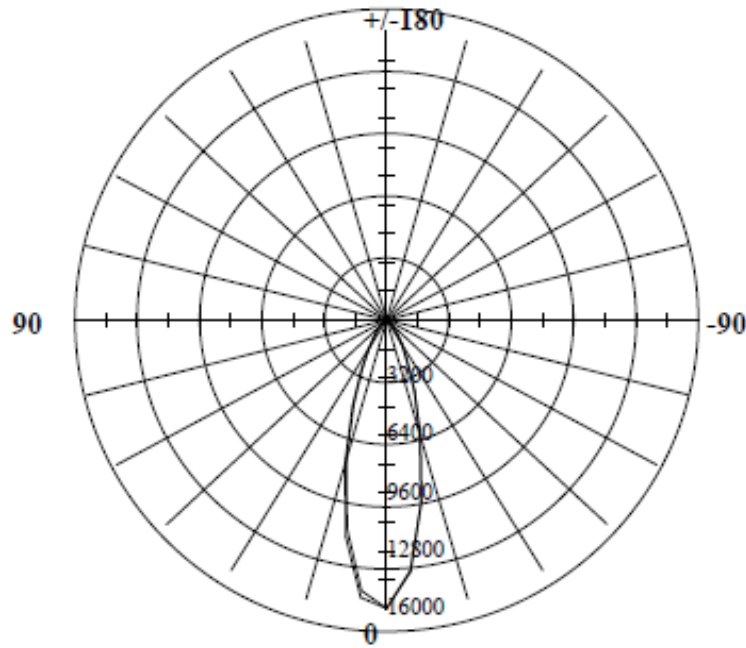
Coefficient Utilization



High Power Downlight

LR-HPDL82W-C Series

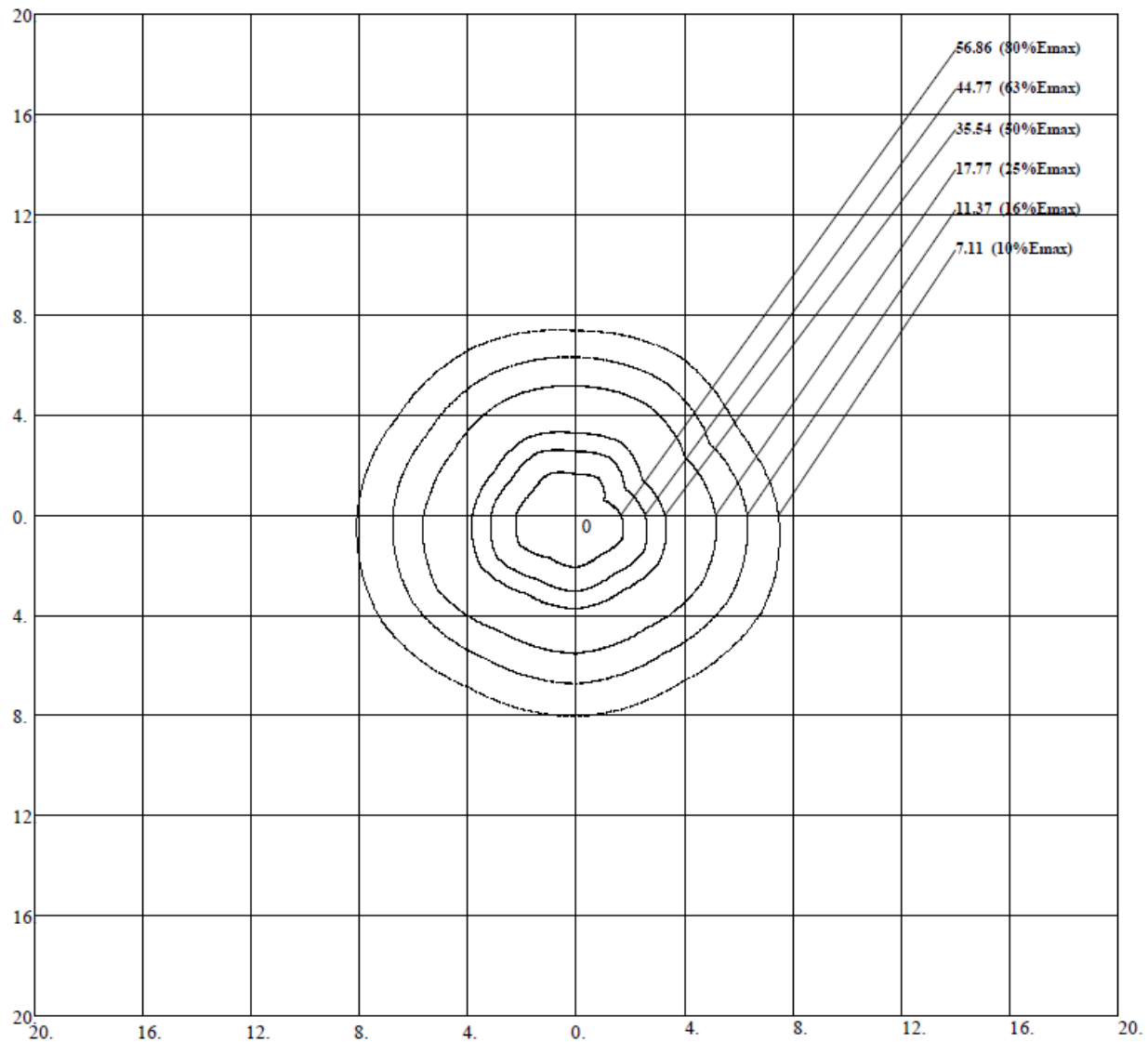
Light Distribution Curve (Unit: cd)



High Power Downlight

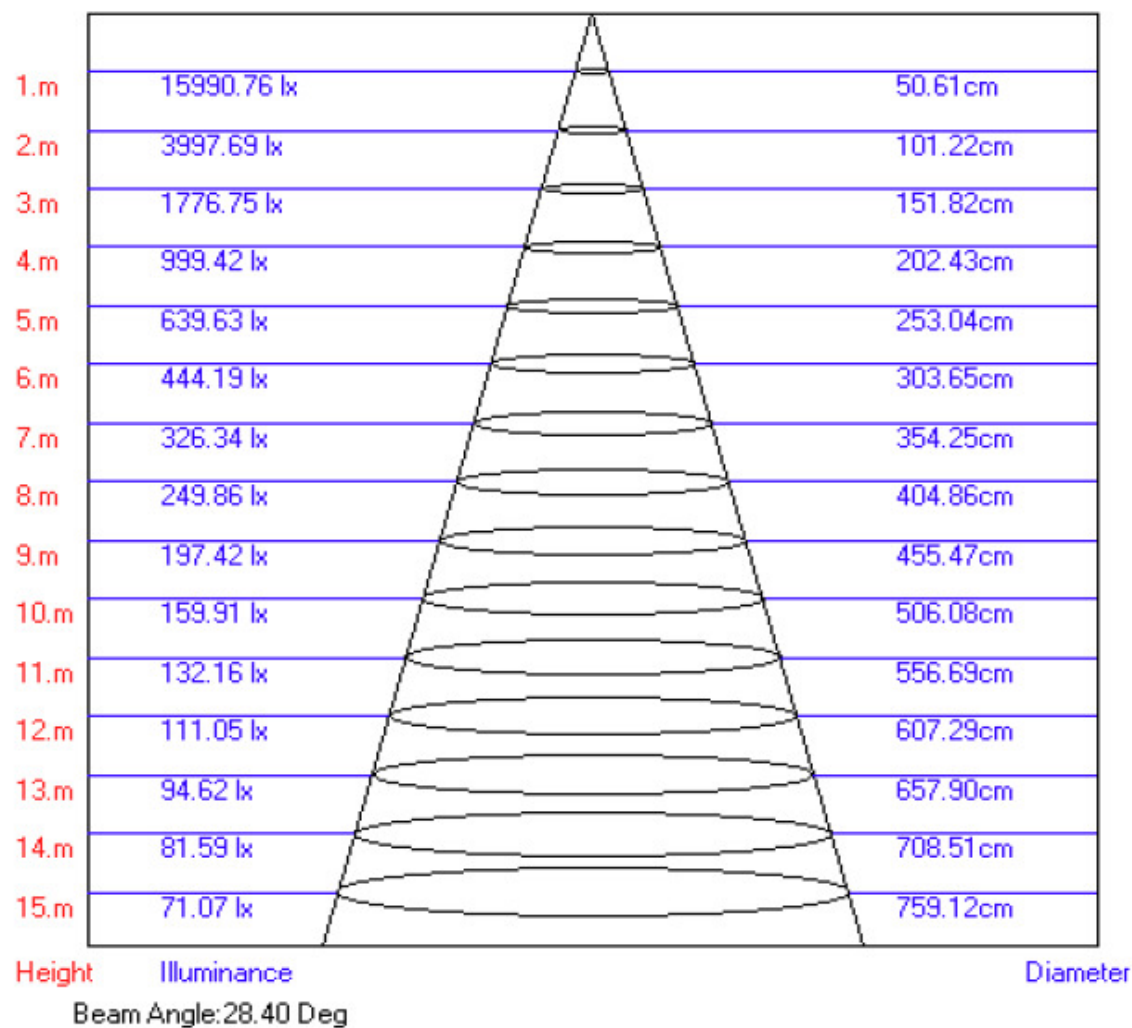
LR-HPDL82W-C Series

Iso-Lux (unit: lx)



Unit: lx
Height: 15m
Max Illuminance: 71.07lx

Lux-Distance (unit: lx)



Dimensions

