

High Power Downlight

LR-HPDL45W-C Series



Luminaire

Type: Multi light engine with lensing

Model #: LR-HPDL45W-XX-C

LED Type: CREE XPG

LED QTY: 25

Certificate: CUL-ETL-ESA

Luminaire Parameters (Ext. driver)

Voltage: AC120V-AC220V Current AC 0.226A-AC 0.45A

Power:: 45.7W

Power Factor: 0.91

Frequency: 50-60Hz

CCT: 3000K

Beam angle: 25 & 50°

Photometric Parameters

Luminaire Flux: 3524.27 lm

Luminaire Eff.: 85.96%

Max Intensity: 10944.204cd

Central Intensity: 9936.308cd

Angle of Max Intensity: C:330 G:5

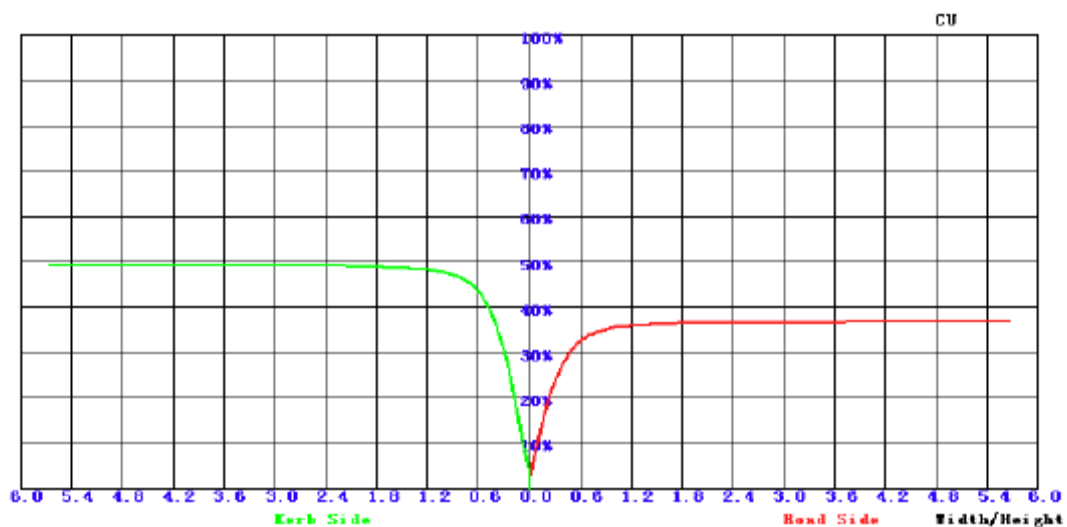
Upward Flux Ratio 0.0%

Downward Flux Ratio: 85.96%

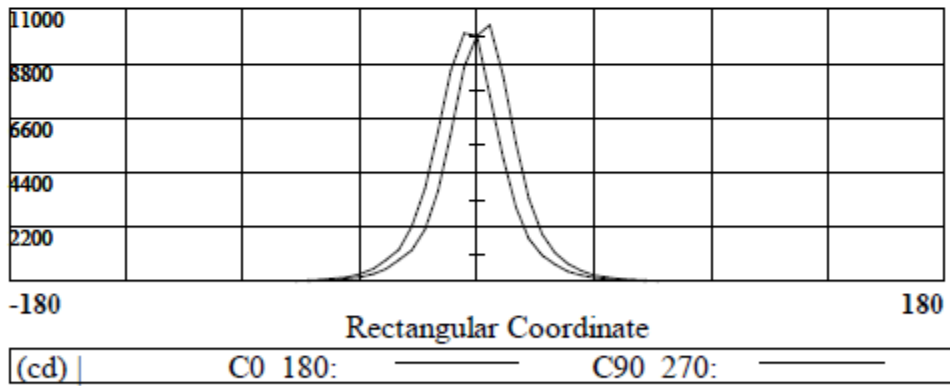
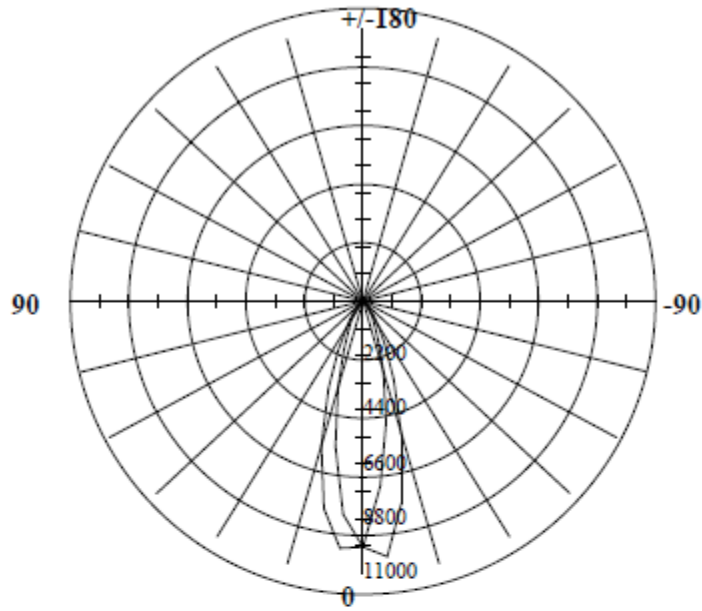
Zonal Flux

Gamma [°]	I _{mean} [cd]	Zonal Flux [lm]	Sum.Flux [lm]	Zonal Flux [%]	Sum.Flux [%]
0	9936.31	0.00	0.00	0.00	0.00
5	8994.73	226.32	226.32	5.52	5.52
10	6856.79	567.06	793.37	13.83	19.35
15	4527.90	675.33	1468.71	16.47	35.82
20	2719.27	597.27	2065.97	14.57	50.39
25	1593.57	452.34	2518.31	11.03	61.42
30	979.30	325.60	2843.91	7.94	69.36
35	603.63	233.10	3077.01	5.69	75.05
40	361.44	161.01	3238.02	3.93	78.98
45	213.51	106.46	3344.48	2.60	81.57
50	128.07	69.02	3413.50	1.68	83.26
55	74.18	43.98	3457.48	1.07	84.33
60	40.10	26.42	3483.89	0.64	84.97
65	21.40	14.95	3498.84	0.36	85.34
70	13.73	8.89	3507.74	0.22	85.55
75	9.59	6.10	3513.84	0.15	85.70
80	6.77	4.38	3518.21	0.11	85.81
85	5.51	3.34	3521.55	0.08	85.89
90	4.44	2.72	3524.27	0.07	85.96

Coefficient Utilization



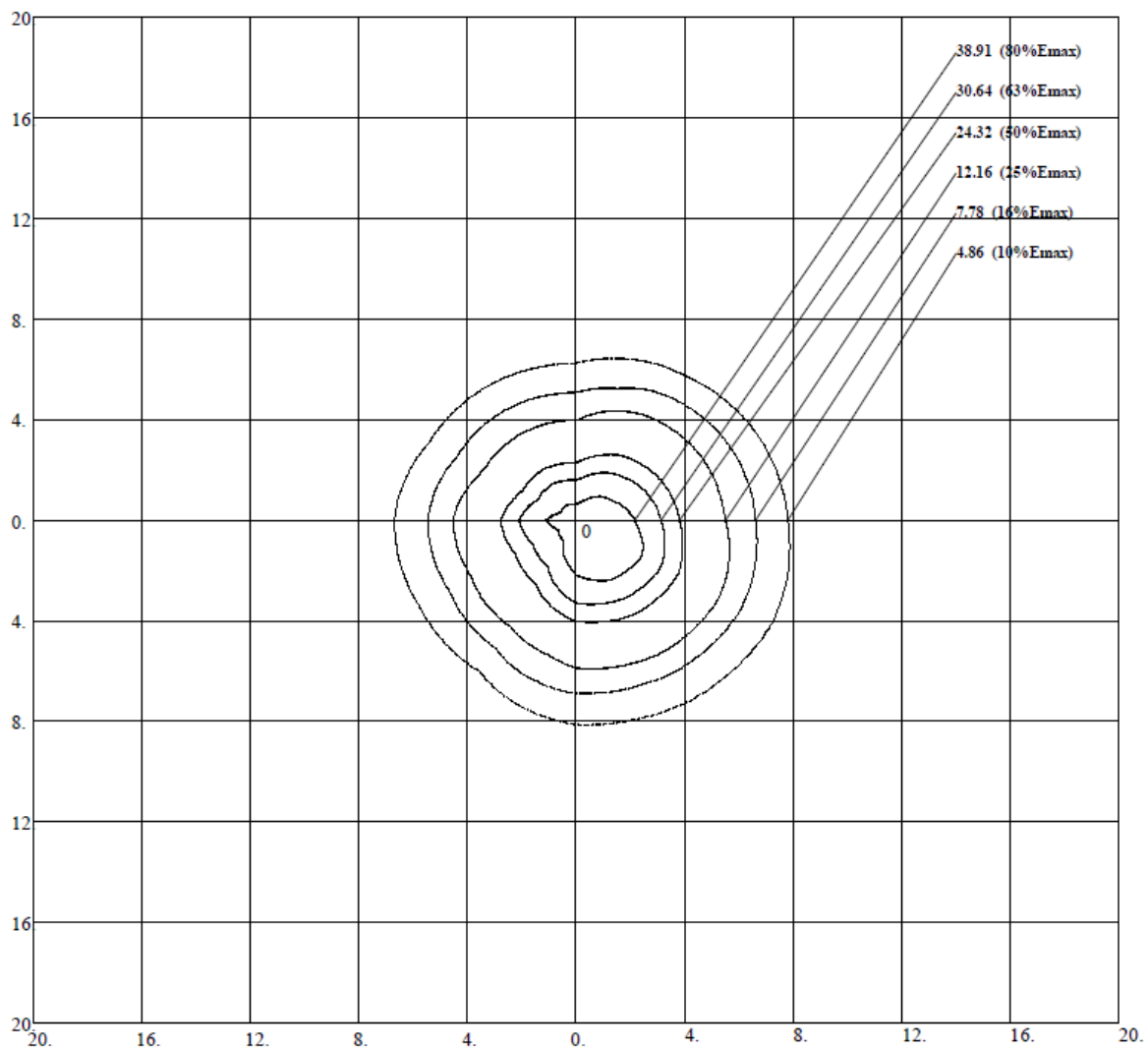
Light Distribution Curve (Unit: cd)



High Power Downlight

LR-HPDL45W-C Series

Iso-Lux (unit: lx)

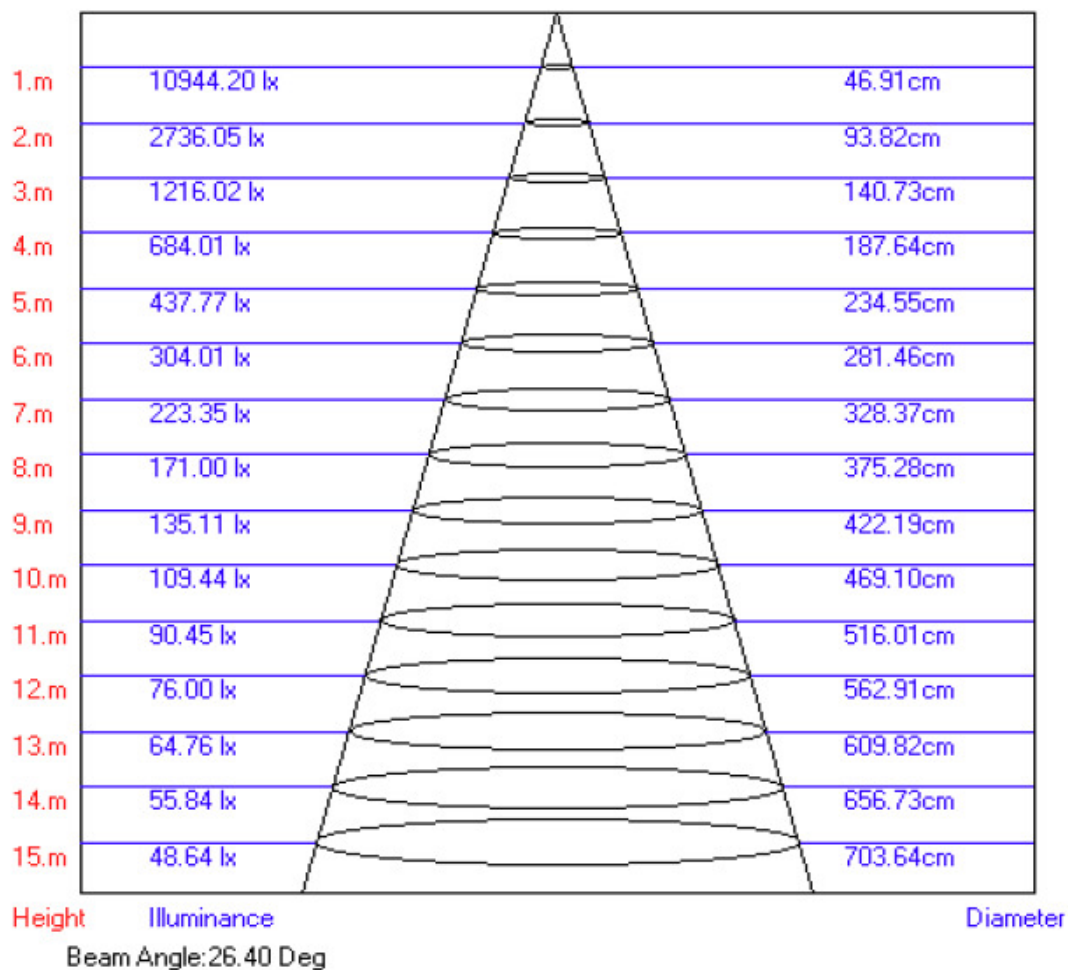


Unit: lx
Height: 15m
Max Illuminance: 48.64lx

High Power Downlight

LR-HPDL45W-C Series

Lux-Distance (unit: lx)



Dimensions

