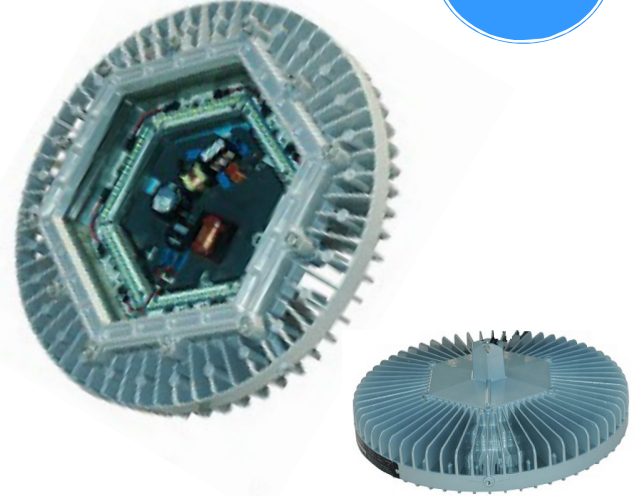




NEW

Features

- Hazardous location fixture
- Indoor & outdoor IP67 rating
- Unique Thermal Management (TMS) Structure for exceptional dissipation
- High power LED Emitters
- Digital Driver
- Cast Aluminium housing provides for a light and rigid carrier for the light engines
- Custom thermoplastic powder coating process provides harsh environment capability
- 60,000hrs L70 at 25°C Ambient
- Pendant or Wall Mounting with 3/4" NPT or 5/16" 18 x .75" NPT Tread



HAZLOC WARRANTY FIVE YEAR

Product Specifications

Model	Power	LED Type	CCT	Efficacy	Luminous Flux (Typ.)	Beam Angle	IP Level
LR-HLX-B150-55	150W	HPLED™	5500-6500K (4500K-5500K Option)	≥72lm/W	10800lm	Sym. 120°	IP67

Electrical Specifications

1. Power Input: AC100-277V
2. AC347-480V (Option)
3. Power Factor: ≥98
4. THD: ≤12% @ full Load
5. Dimming: Yes optional

Listed

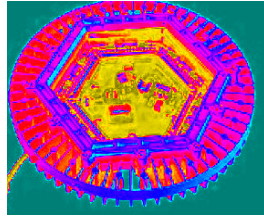
1. T5 Temperature Rating
2. Class 1 Division 1&2 Groups B, C and D
3. Class 2 Division 1&2 Groups E,F,G
4. Class 3 Division 1&2
5. CSA Certified to C22.2 No.137-M81
6. cETL Certified to UL844 and C22.2 Standards



Product Specifications



HPLLED
Achieves High Output in a
Compact Package



Unique Thermal Management (TMS) for
Exceptional Cooling



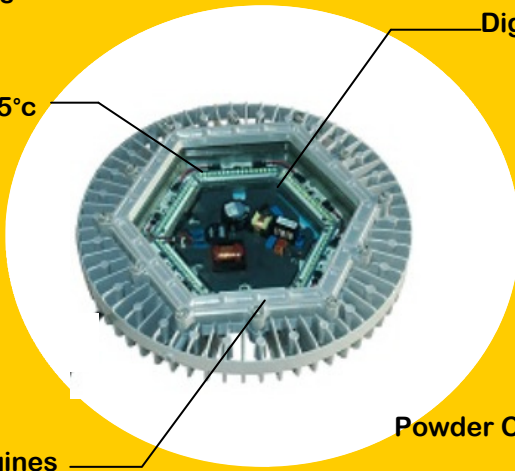
Powder Coated Housing
Provide Protection
Against the Elements



Digital Drivers with Full Protection & low THD

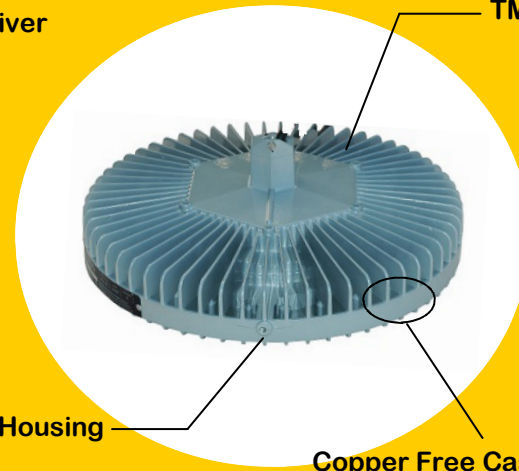
HLX B Series

60k L70 @ 25°C



Digital Driver

HP-LED Engines

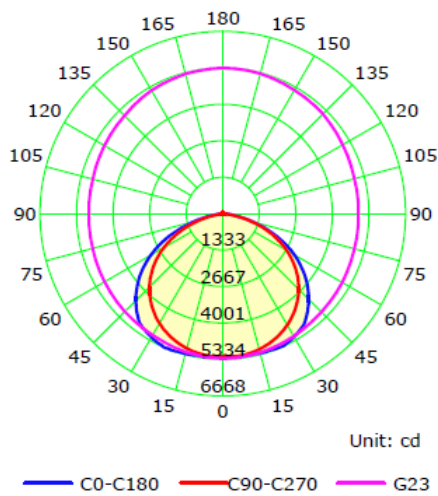


TMS Structure

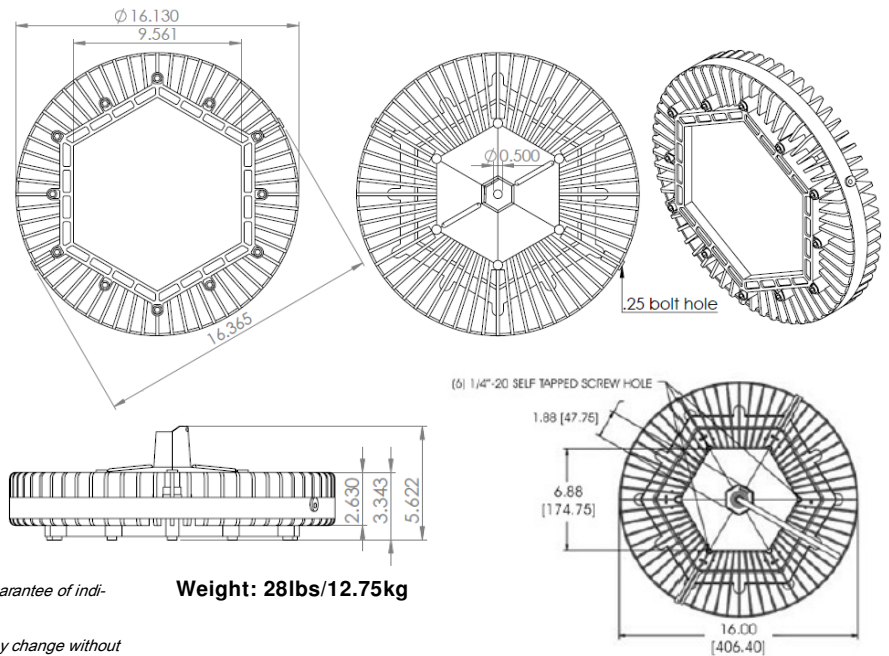
Powder Coated Housing

Copper Free Cast Aluminum

Luminous Intensity Distribution Curve



Dimensions



Weight: 28lbs/12.75kg

The specifications in this brochure are representative and must not be interpreted as a guarantee of individual product performance and/or characteristics.

LED RAYS Inc. has a policy of continuous advancements & development specifications may change without notice. Please contact your rep for updates.