

LED

Recessed Downlight

LED RAYS COB Structure



LED RAYS

MASTERING LIGHT

DV Series

NEW

Features

- Up to 2600lm in an easy to install luminaire
- Available with ANSI 2700K, 3500K and 4500K color temperature
- Standard 30° & 60° beam angle
- Digital driver with 3 way I²O protection
- Dimming option (DRX)
- Aluminium alloy housing provides for a light and rigid carrier for the light engine
- Integrated JB for simple wiring
- 40,000hrs L70 at 25°C Ambient



LONG LIFE
LED
TECHNOLOGY



INNOVATION
COB
INNOVATION
INNOVATION



Product Specifications

Model	Power	LED	Ø Size	Cut Out Ø	CCT	Typ. Luminous Flux	Beam Angle	CRI	IP Rating
LR-DDV-104-30	8W	COB	129mm/4"	100mm ± 3.0 mm	2700-3500-4500K	670lm	30° or 60°	82	IP50
LR-DDV-166-30	15W	COB	186mm/6"	160mm ± 3.0 mm	2700-3500-4500K	1300lm	30° or 60°	82	IP50
LR-DDV-218-30	30W	COB	245mm/8"	210mm ± 3.0 mm	2700-3500-4500K	2600lm	30° or 60°	82	IP50

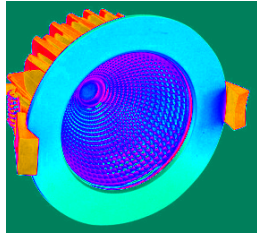
Electrical Specifications

1. Power Input: AC100-240V
2. AC180-508V (Option)
3. Power Factor: ≥94
4. THD: ≤18% @ full Load
5. Dimming: Yes optional

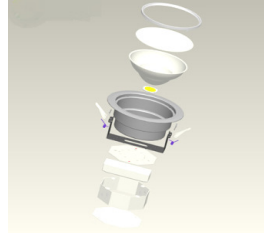
Product Specifications



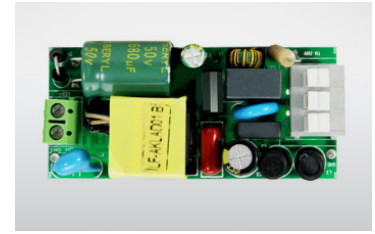
COB LED Engines



Exceptional Thermal Performance

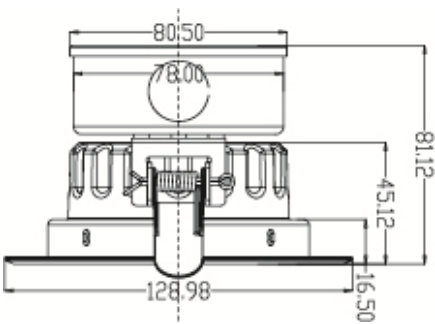


Fully Serviceable Design

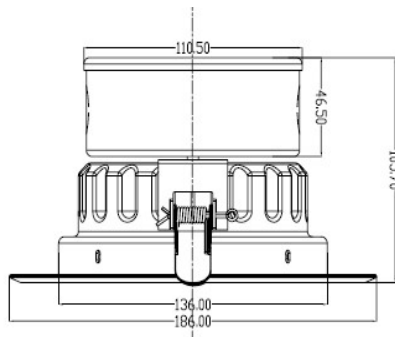


High Performance Digital Driver

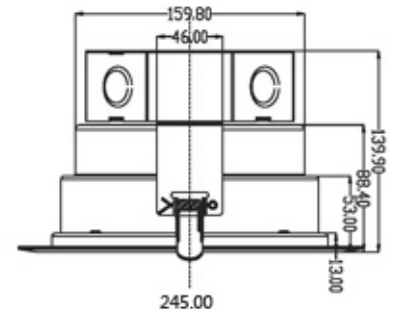
Product Dimensions



LR-DDV-104-30



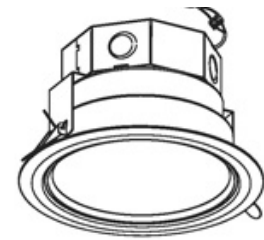
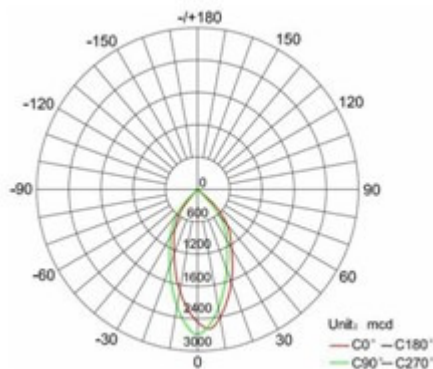
LR-DDV-166-30



LR-DDV-218-30

Distribution Curve

(LR-DDV-166-30)



Top Mounted Junction Box

The specifications in this brochure are representative and must not be interpreted as a guarantee of individual product performance and/or characteristics.

LED Rays Inc. has a policy of continuous advancements & development specifications may change without notice. Please contact your rep for updates.