



Features

- Innovative Solid AL6063 Heatsink achieves Superior Thermal Performance
- CREE™ Structured COB LED Array
- Narrow, Medium or Wide Reflector for Optimal Photometric Distribution
- Digital Drivers with 5 way I²O Protection
- Color Temperature Options 2700k, 3000K, 3500K & 4000K
- Luminous Flux 1250lm, 1850lm or 2450lm
- Color Rendering Index 85 or 95 CRI
- 65,000hrs L70 at 25°C Ambient

Ordering Information

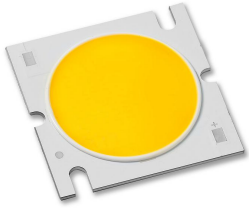
Range Luminous Flux (lm)	Power/Size	Color T° (CCT)	Color Rendering Index (CRI) Typ.	Input Voltage	Dimming & Control	Mounting	Finish	Angle
LR-EXPO (75) 1250LM (95) 1850LM (115) 2450LM	<input type="checkbox"/> 14W (Ø75mm x 150mm) <input type="checkbox"/> 24W (Ø95mm x 190mm) <input type="checkbox"/> 34W (Ø115mm x 230mm)	<input type="checkbox"/> 1 (2700K) <input type="checkbox"/> 2 (3000K) <input type="checkbox"/> 3 (3500K) <input type="checkbox"/> 4 (4000K) <input type="checkbox"/> 5 (RGB)	<input type="checkbox"/> A1 (75) <input type="checkbox"/> A2 (85) <input type="checkbox"/> A3 (95)	<input type="checkbox"/> A (AC120V) <input type="checkbox"/> B (AC240V) <input type="checkbox"/> C (AC277V)	<input type="checkbox"/> Blank (None) <input type="checkbox"/> S (1-10V/PWM/R value) <input type="checkbox"/> D (DALI) <input type="checkbox"/> L (LEDIM) <input type="checkbox"/> T (TEDIM) <input type="checkbox"/> X (DMX512)	<input type="checkbox"/> P (Pendant) <input type="checkbox"/> S (Surface)	<input type="checkbox"/> P (Polished AL) <input type="checkbox"/> A (Black Anodized)	<input type="checkbox"/> N (24 Deg) <input type="checkbox"/> M (48 Deg) <input type="checkbox"/> W (80 Deg)

Electrical Specifications

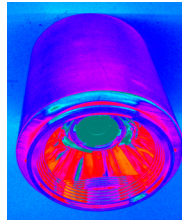
1. Power Input: AC100-277V
2. AC180-508V (Option)
3. Power Factor: ≥96
4. THD: ≤14% @ full Load
5. Dimming: Yes optional



Product Specifications



Modular COB Light Source



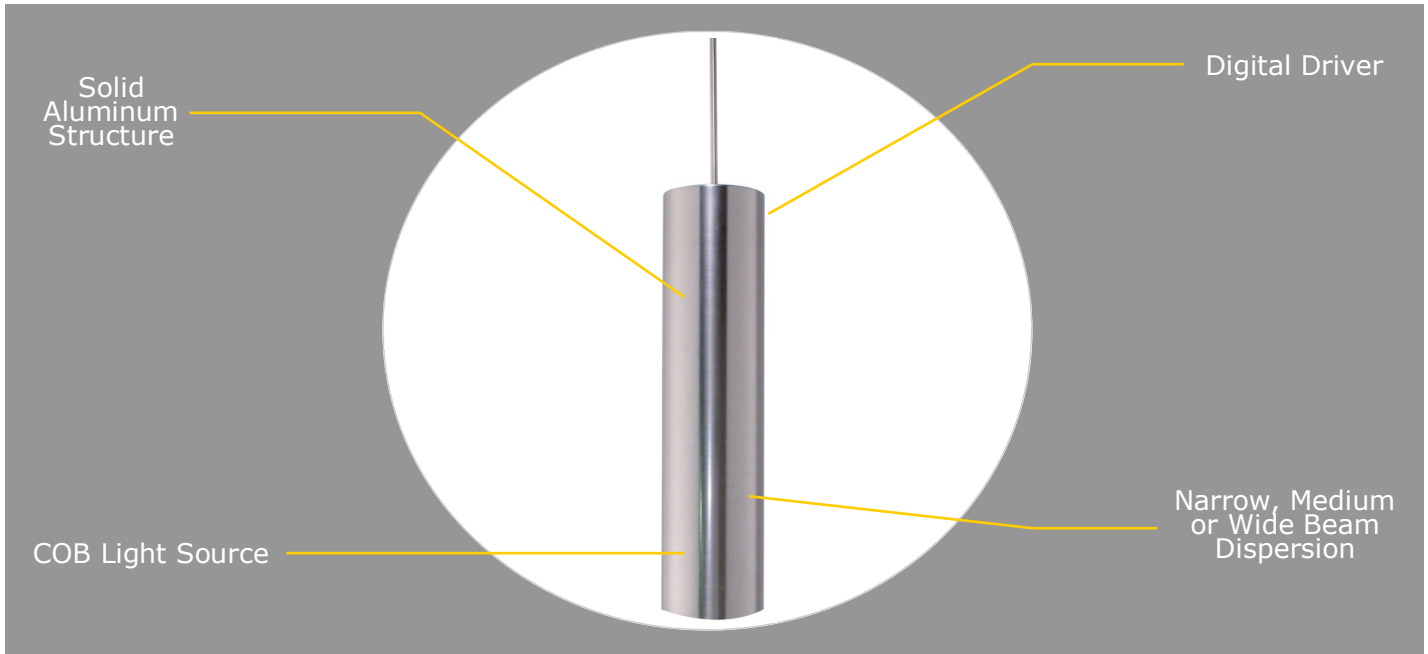
Exceptional Thermal Performance



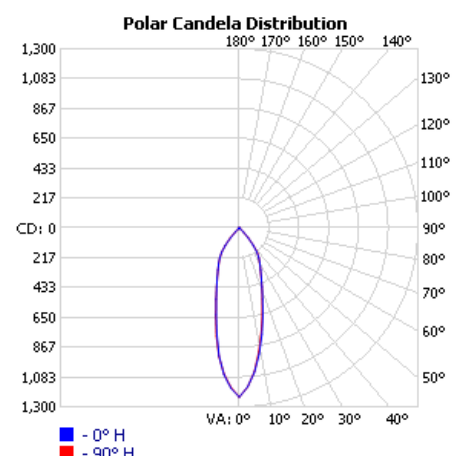
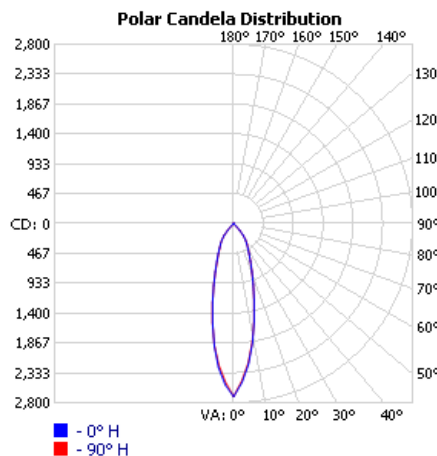
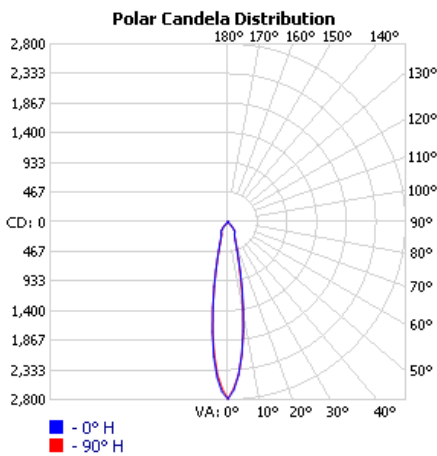
Dispersion Options



Digital Drivers with 5 Way Protection



Polar Candela Distribution



The specifications in this brochure are representative and must not be interpreted as a guarantee of individual product performance and/or characteristics. LEDRays Inc. has a policy of continuous advancements & development specifications may change without notice. Please contact your rep for updates.